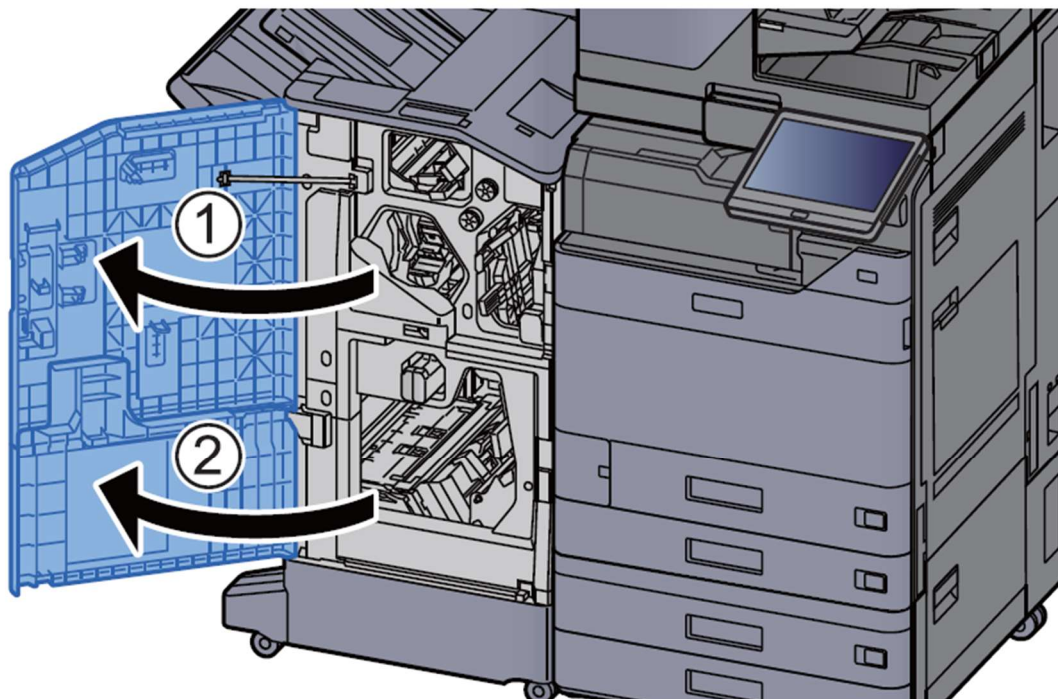
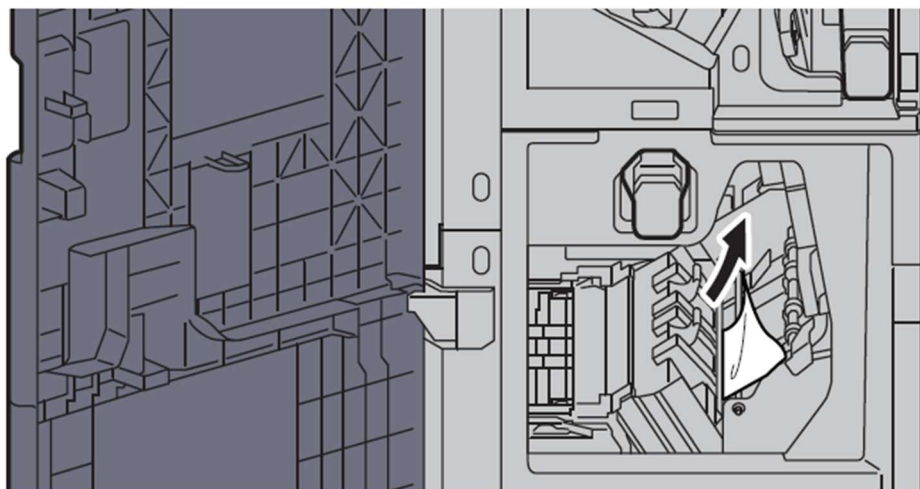


Clearing a Staple Jam of the Folding Unit (100-sheet Staple Finisher)

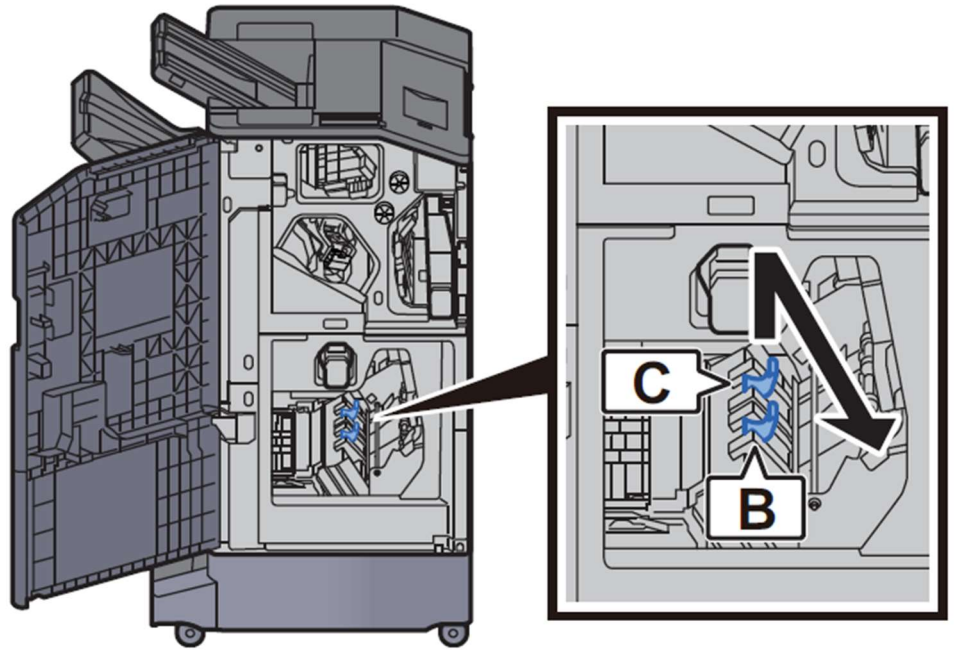
- 1 Open the finisher front cover 1 and 2.



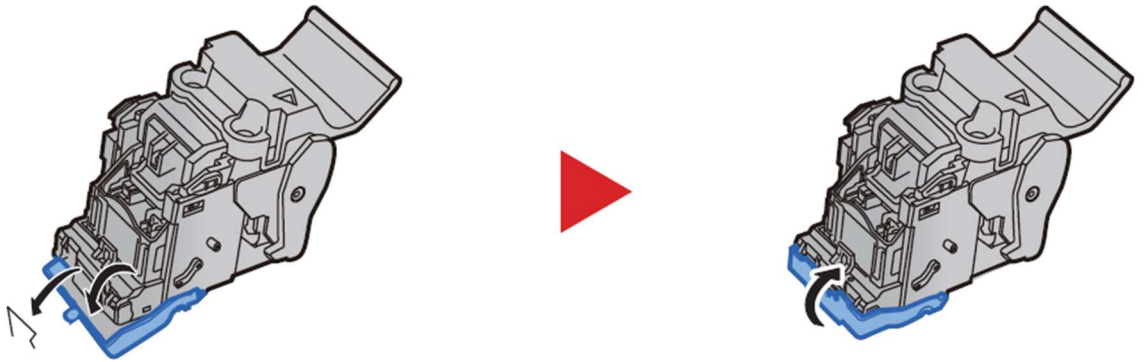
- 2 Remove paper from inside the finisher.



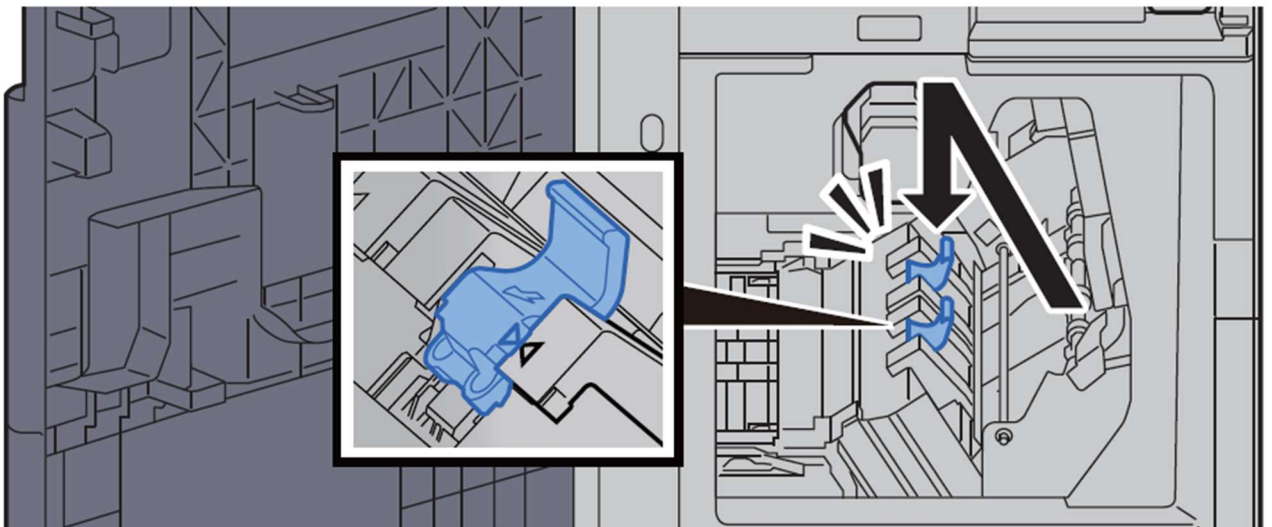
3 Remove the Staple Cartridge Holder (B) or (C).



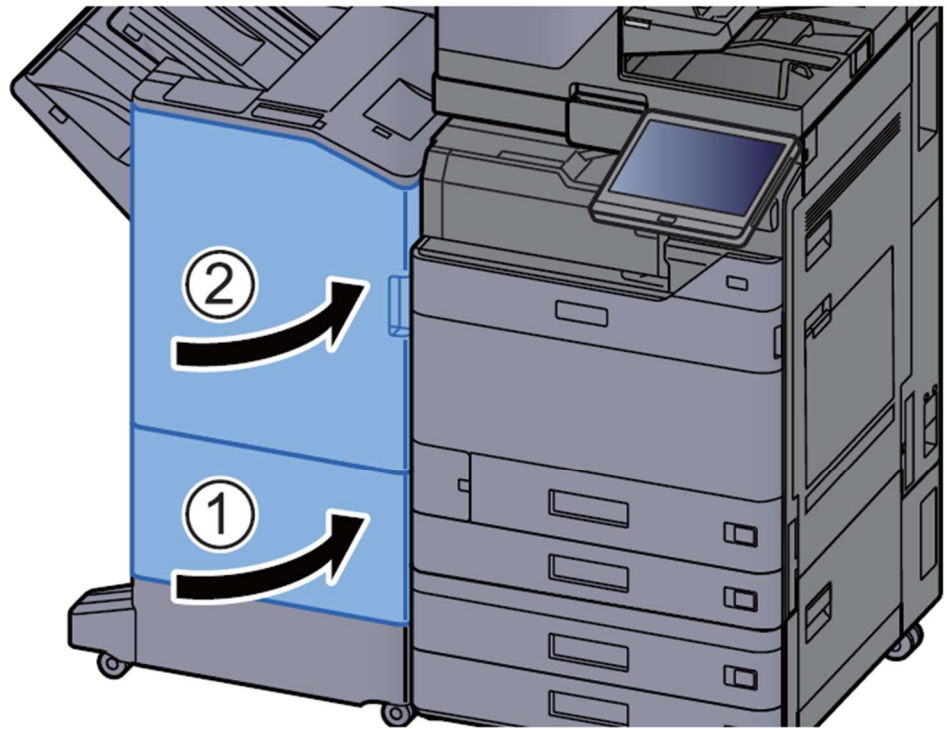
4 Remove the jammed staple.



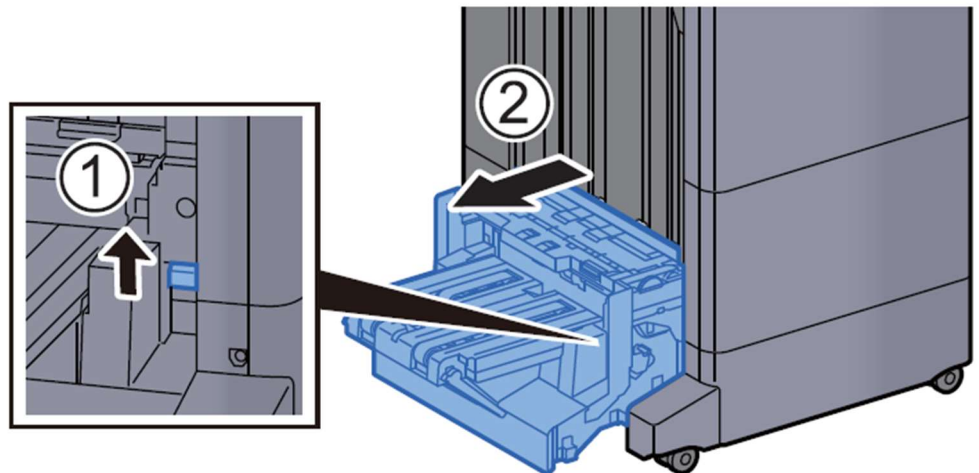
5 Install the Staple Cartridge Holder (B) or (C).



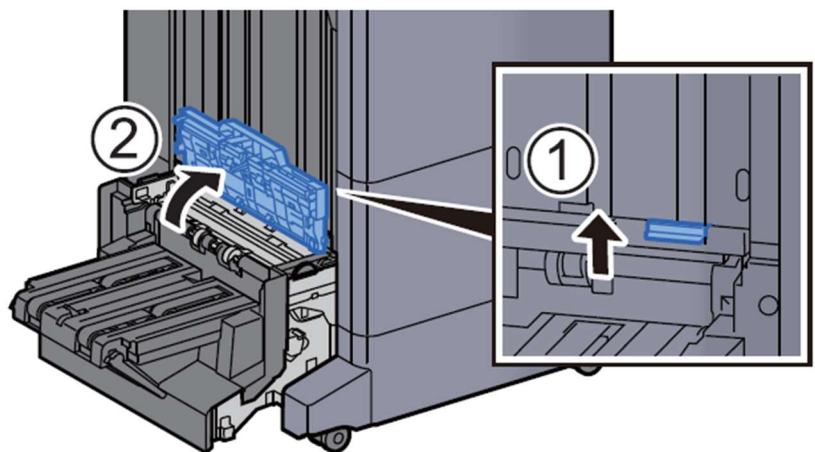
6 Return the covers to the original position.



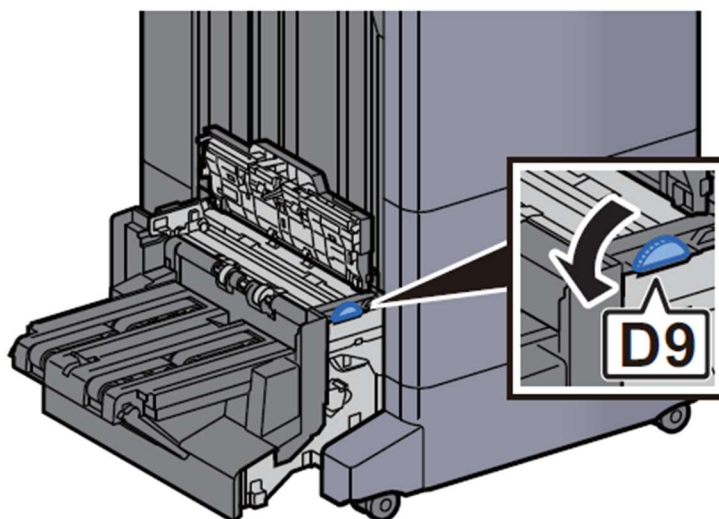
7 Lift the release lever to pull the folding unit out.



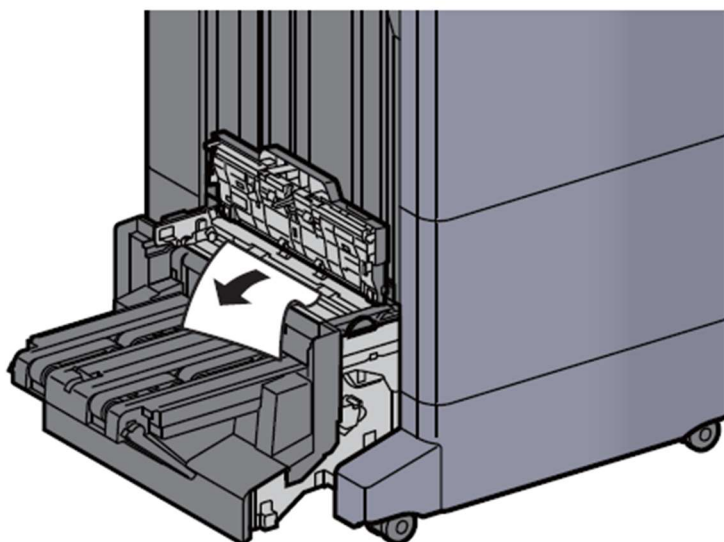
8 Open the folding unit top cover.



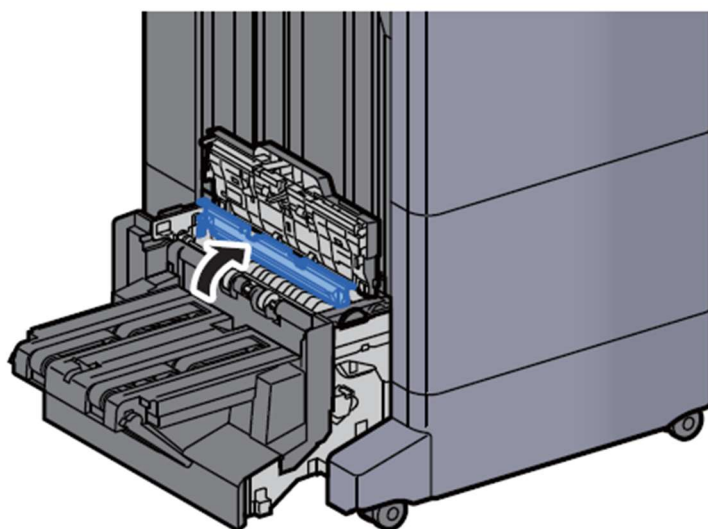
9 Turn dial (D9).



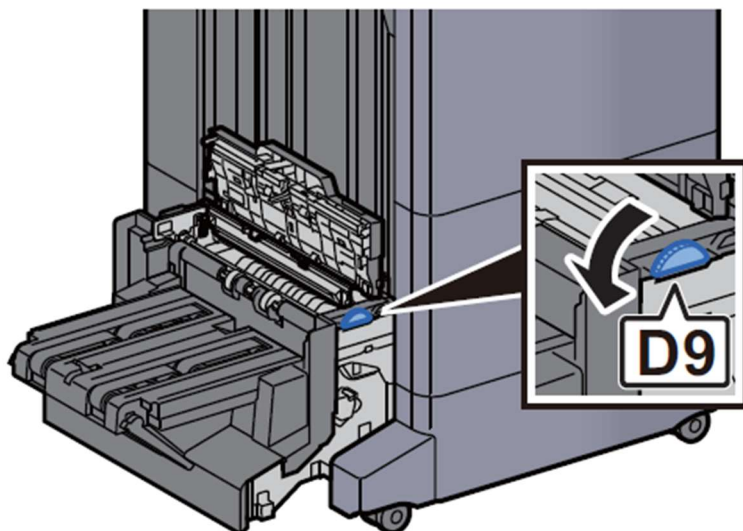
10 Remove any jammed paper.



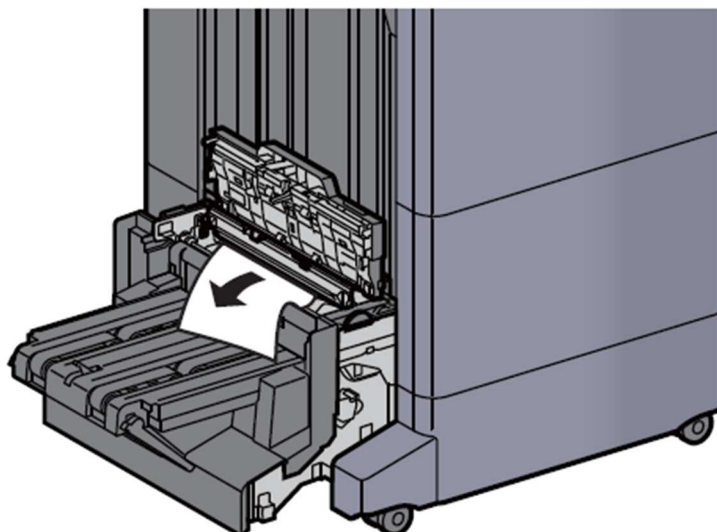
11 Open the folding unit conveyor guide.



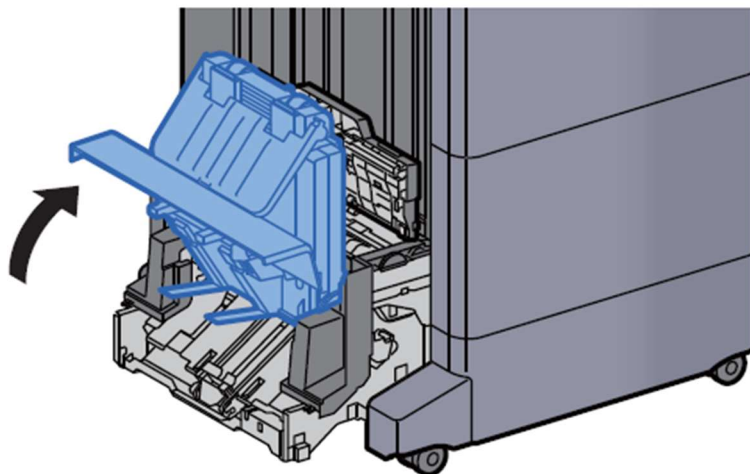
12 Turn dial (D9).



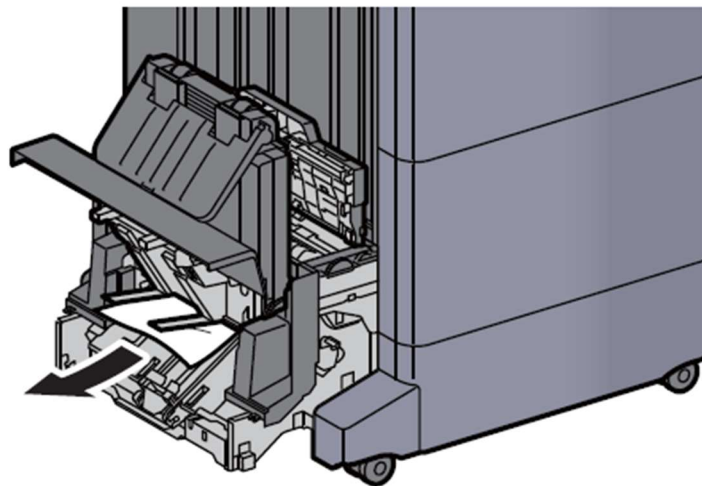
13 Remove any jammed paper.



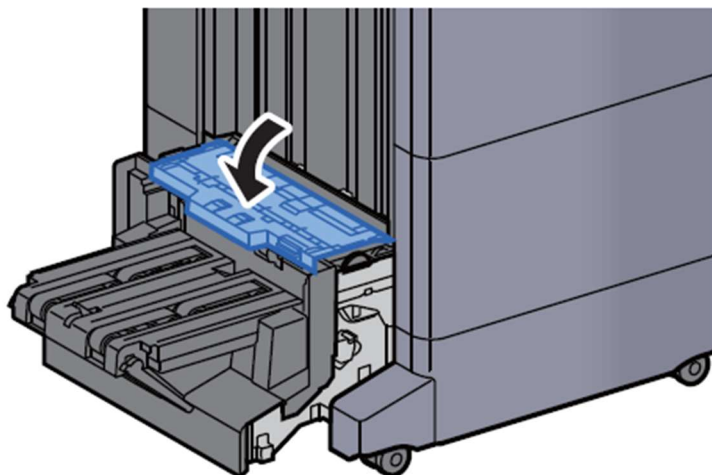
14 Lift the folding tray.



15 Remove any jammed paper.



16 Return the covers to the original position.



17 Return the folding unit to the original position.

