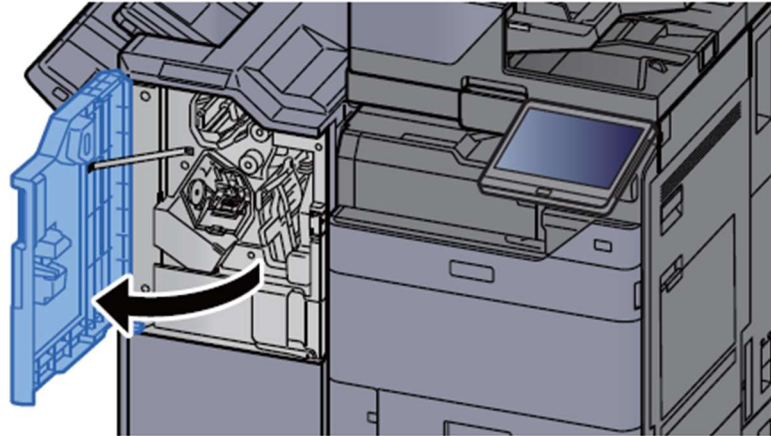


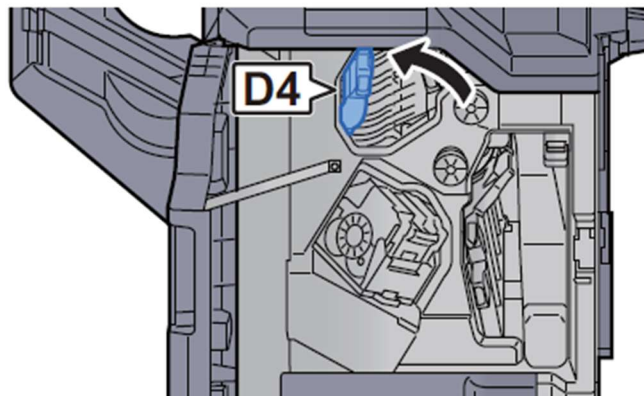
Clearing a Staple Jam

Clearing a staple jam of the 4,000-sheet Finisher

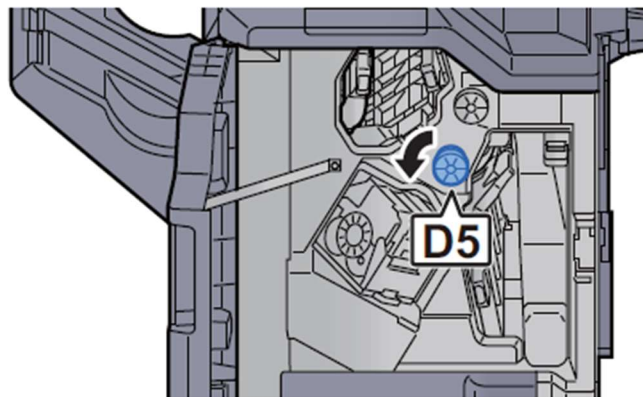
1 Open the finisher front cover 1.



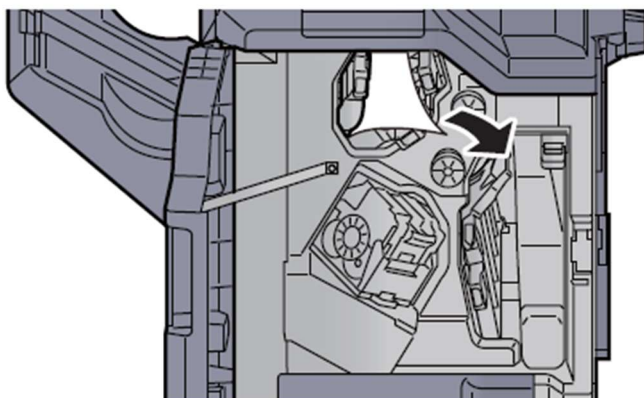
2 Open the conveyor guide (D4).



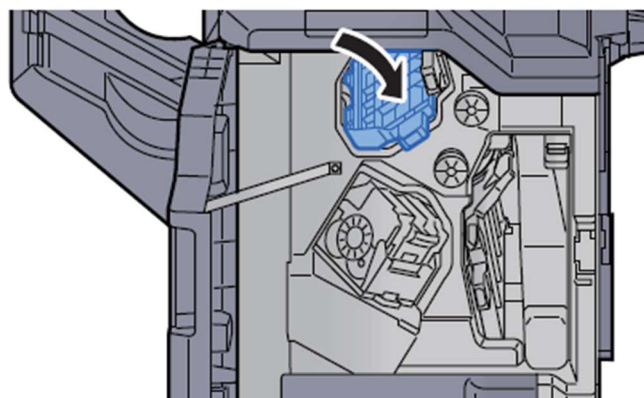
3 Turn knob (D5).



4 Remove any jammed paper.



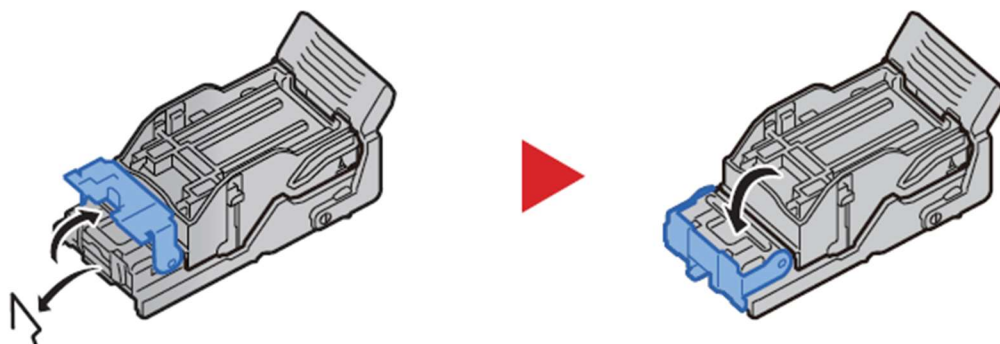
5 Return the conveyor guide (D4) to the original position.



6 Remove the Staple Cartridge Holder (A).



7 Remove the jammed staple.



8 Install the Staple Cartridge Holder (A).



9 Return the cover to the original position.

