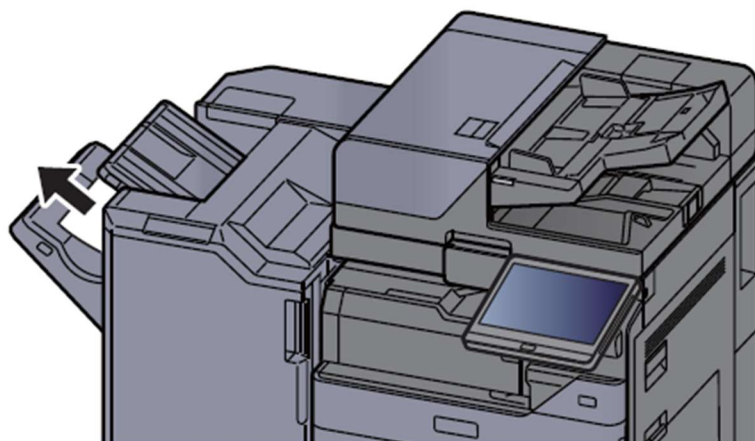


# Remove any jammed paper in the 4,000-sheet Finisher/100-sheet Staple Finisher (Tray A)

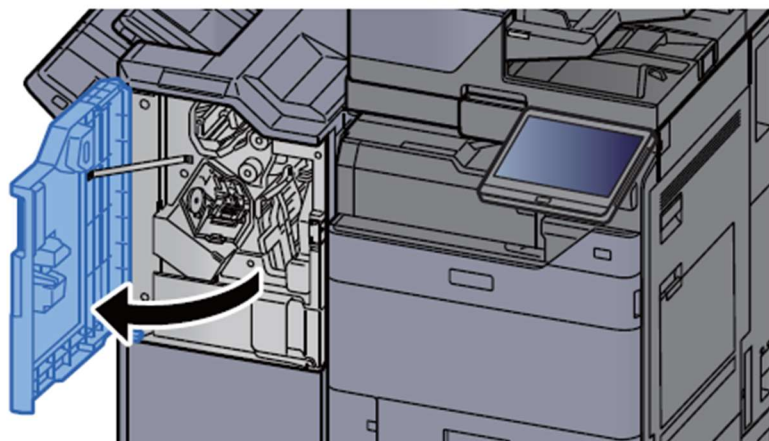
## CAUTION

- Do not reuse jammed papers.
- If the paper tears during removal, be sure to remove any loose scraps of paper from inside the machine. Scraps of paper left in the machine could cause subsequent jamming.

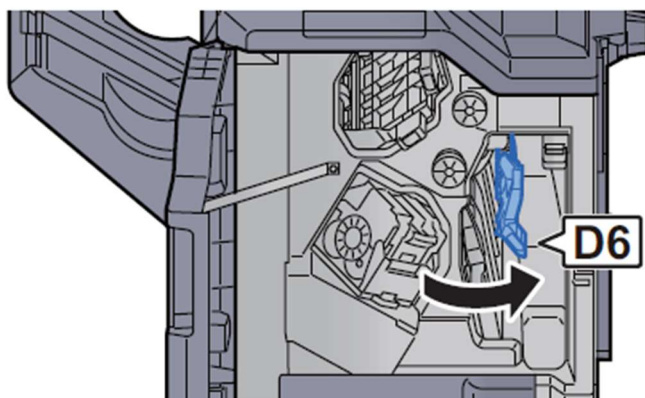
### **1** Remove any jammed paper.



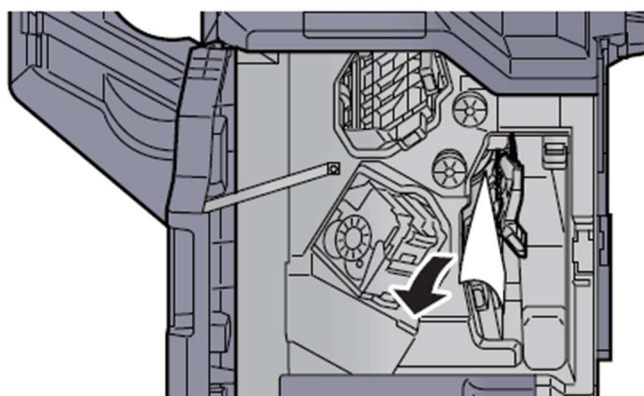
### **2** Open the finisher front cover 1.



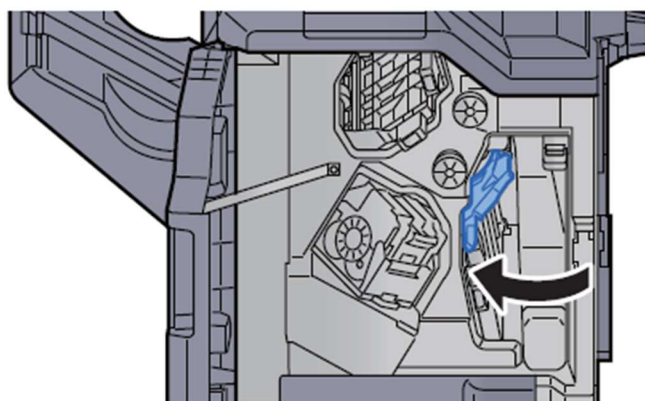
**3** Open the conveyor guide (D6).



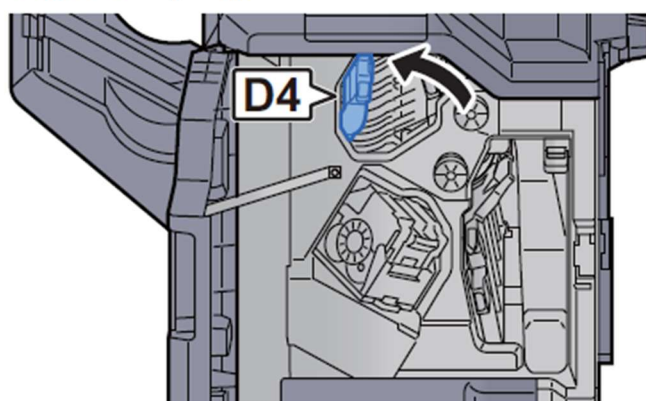
**4** Remove any jammed paper.



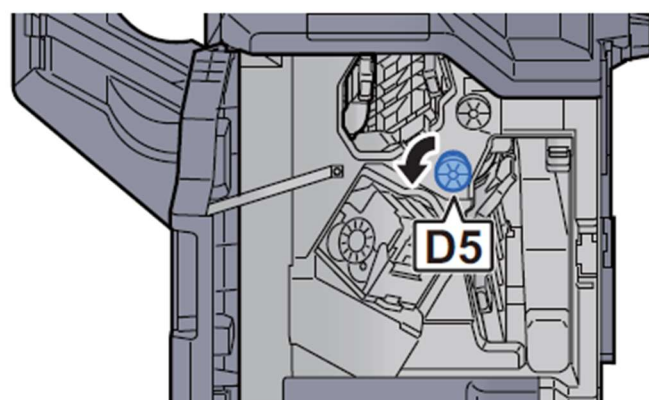
**5** Return the conveyor guide (D6) to the original position.



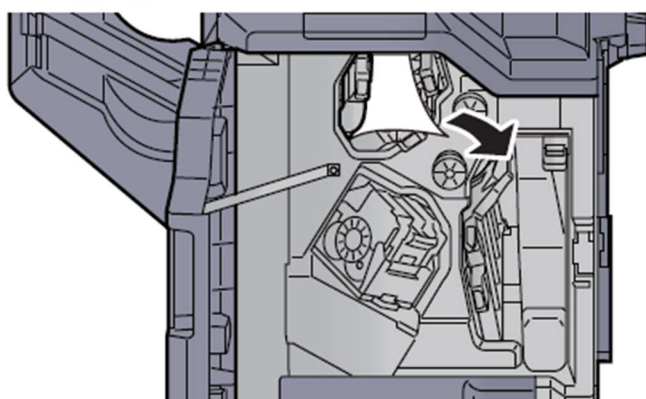
**6 Open the conveyor guide (D4).**



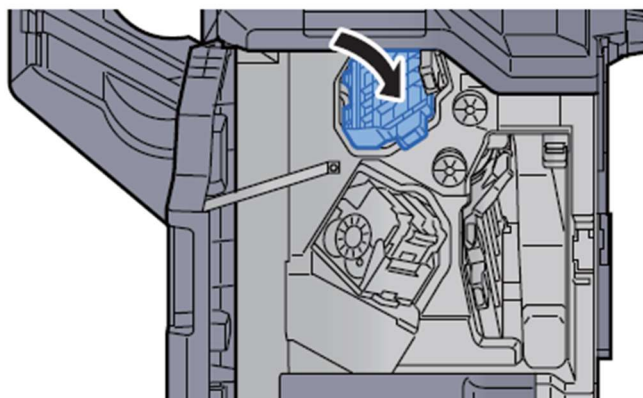
**7 Turn knob (D5).**



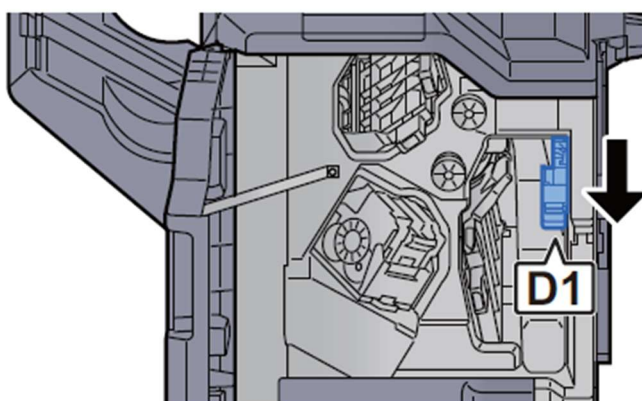
**8 Remove any jammed paper.**



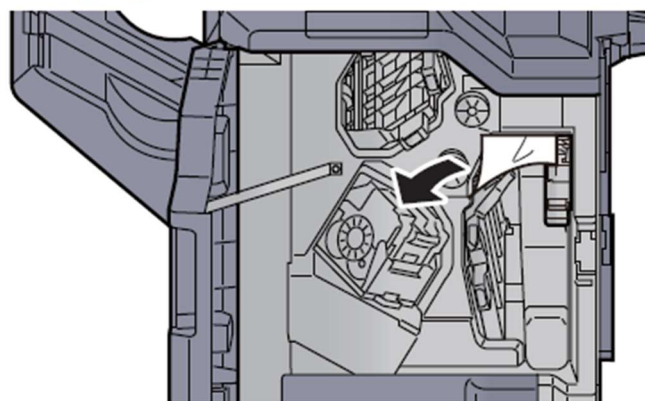
**9** Return the conveyor guide (D4) to the original position.



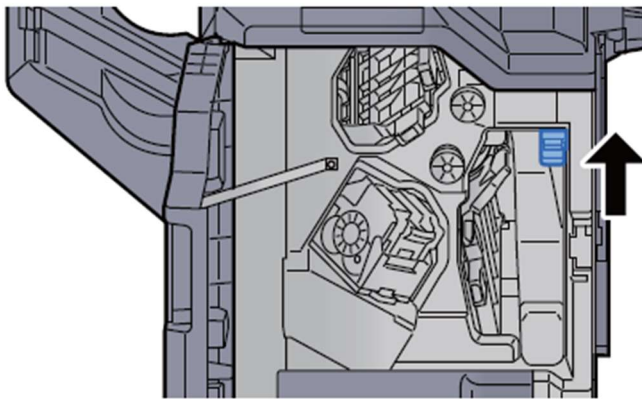
**10** Open the conveyor guide (D1).



**11** Remove any jammed paper.



**12** Return the conveyor guide (D1) to the original position.



**13** Return the cover to the original position.

