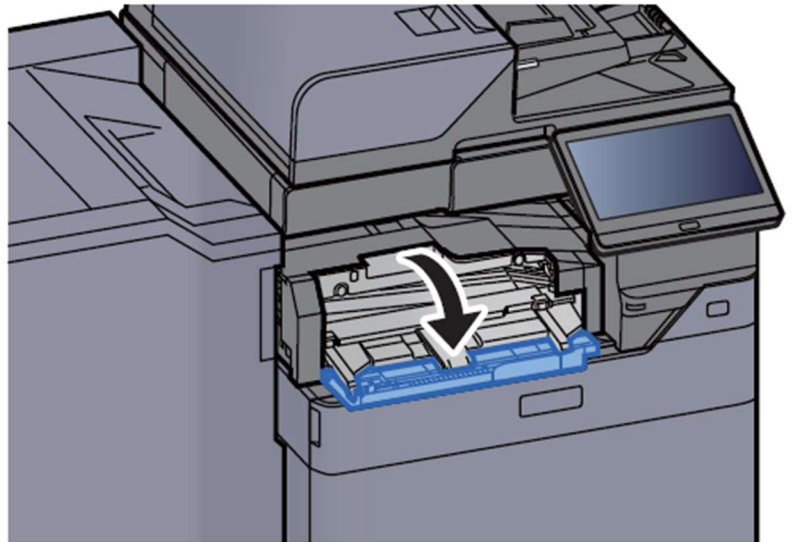


# Remove any jammed paper in the Bridge Unit

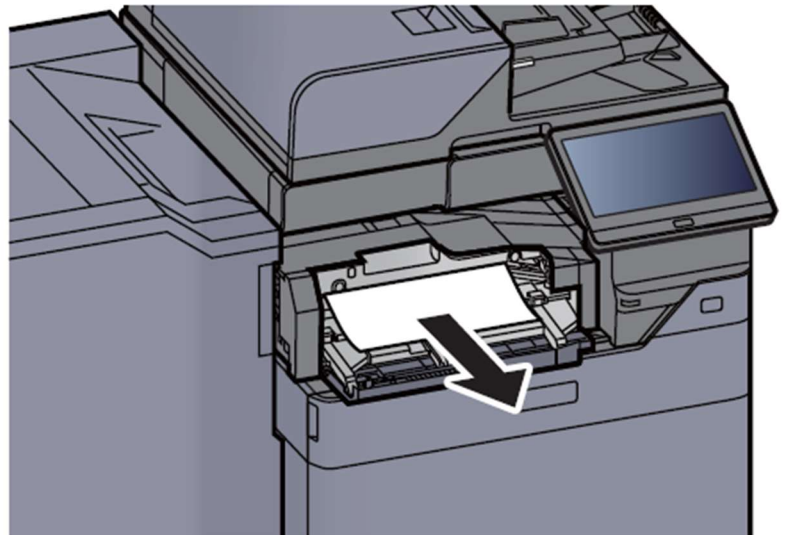
## CAUTION

- Do not reuse jammed papers.
- If the paper tears during removal, be sure to remove any loose scraps of paper from inside the machine. Scraps of paper left in the machine could cause subsequent jamming.

## **1** Open the bridge unit cover.



## **2** Remove any jammed paper.



### **3** Close the cover.

