

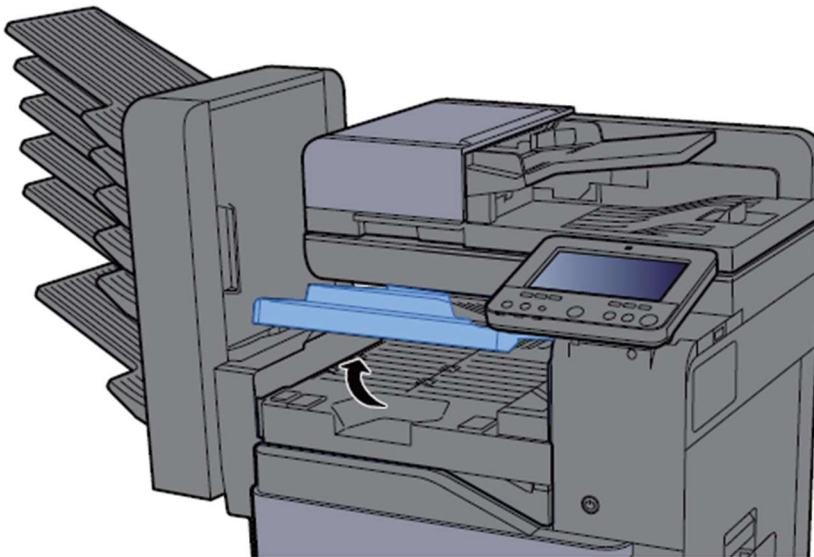
Clearing Paper Jams

Remove any jammed paper in the Bridge Unit

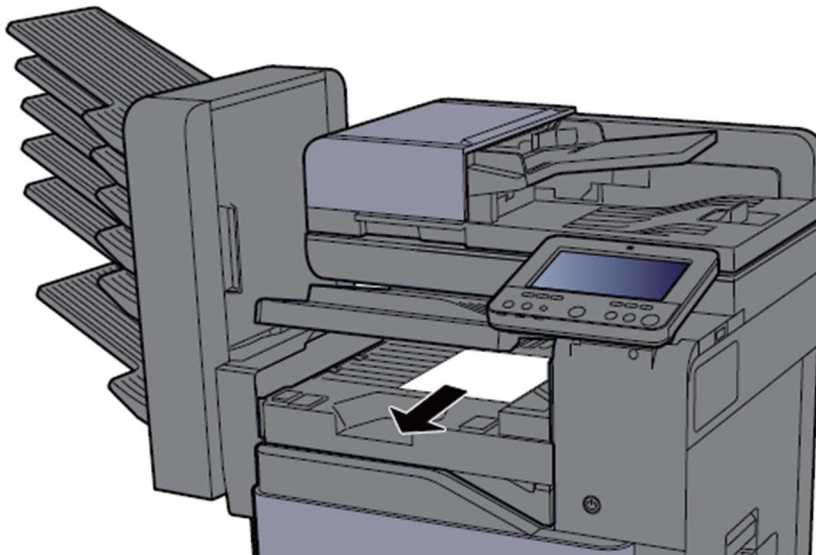
CAUTION

- Do not reuse jammed papers.
- If the paper tears during removal, be sure to remove any loose scraps of paper from inside the machine. Scraps of paper left in the machine could cause subsequent jamming.

1 Open the cover.



2 Remove any jammed paper.



3 Close the cover.

