

# Clearing Paper Jams

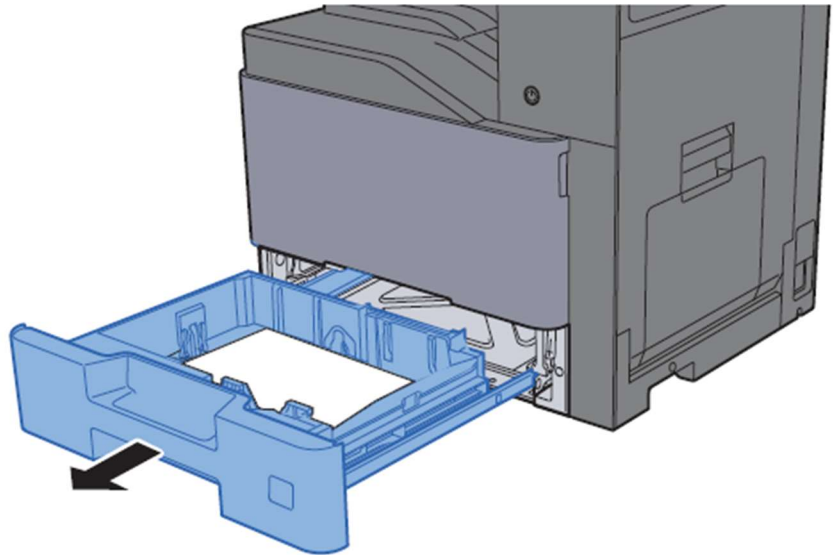
## Remove any jammed paper in Cassette 1 and 2

Here, we'll explain the procedures for cassette 1, as an example.

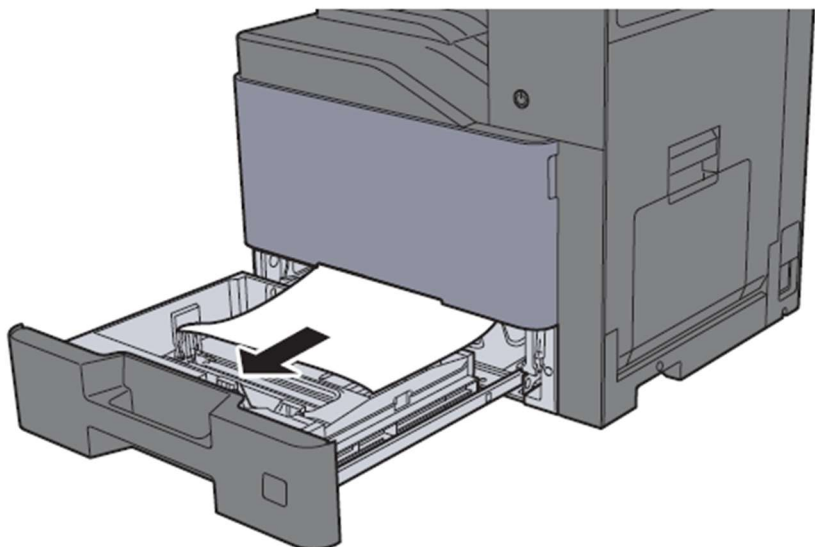
### CAUTION

- Do not reuse jammed papers.
- If the paper tears during removal, be sure to remove any loose scraps of paper from inside the machine. Scraps of paper left in the machine could cause subsequent jamming.

## **1** Pull Cassette 1 out toward you until it stops.



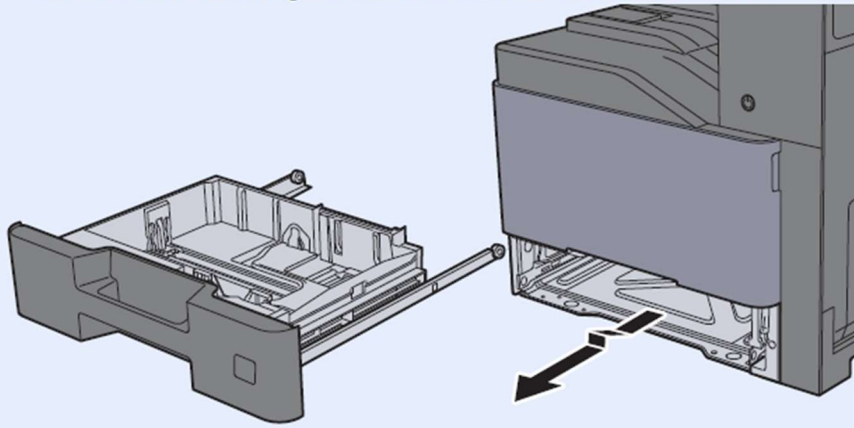
## **2** Remove any jammed paper.





## NOTE

To remove paper which is difficult to get access to, the cassette can be removed.



## 3 Push Cassette 1 back in.

