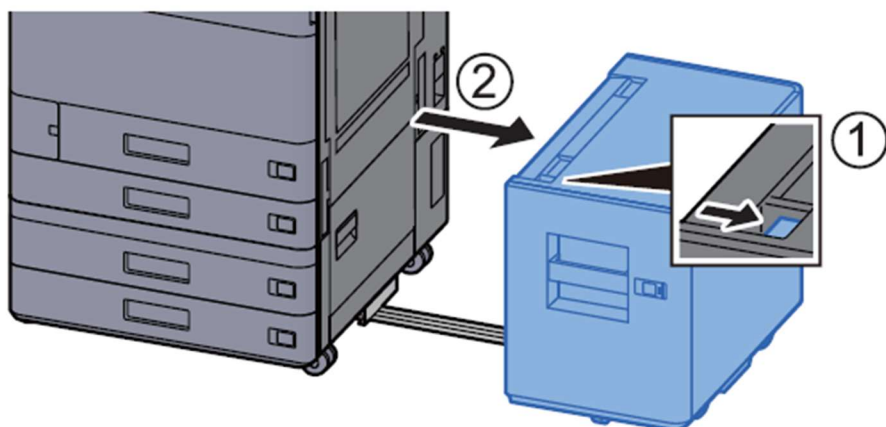


Remove any jammed paper in Cassette 2

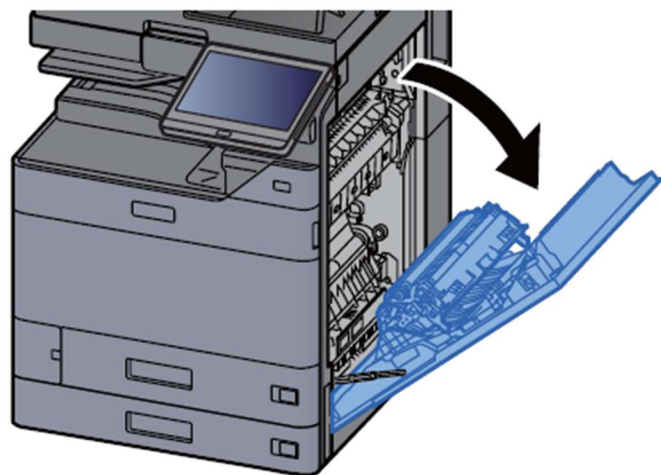
CAUTION

- Do not reuse jammed papers.
- If the paper tears during removal, be sure to remove any loose scraps of paper from inside the machine. Scraps of paper left in the machine could cause subsequent jamming.

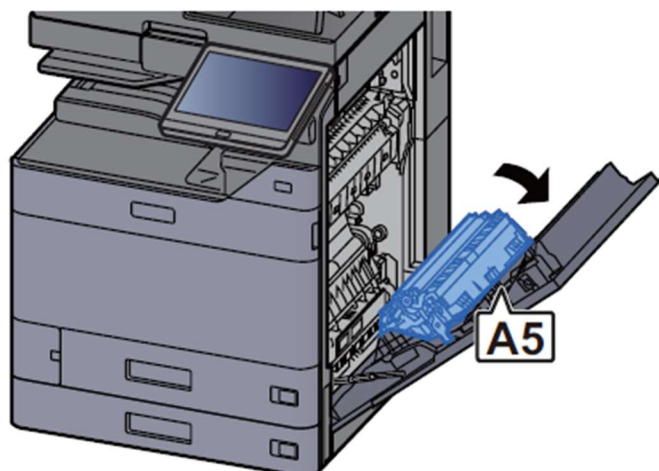
1 If the optional side feeder is installed, detach the side feeder.



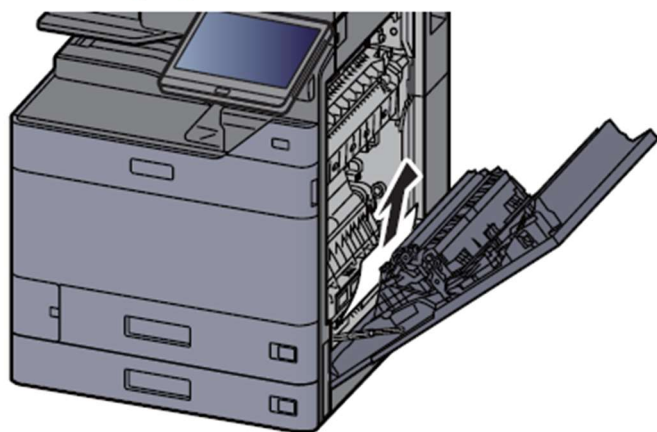
2 Open Right Cover 1.



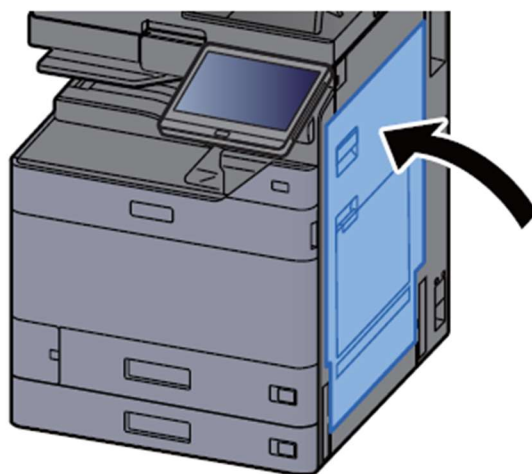
3 Close the duplex unit (A5).



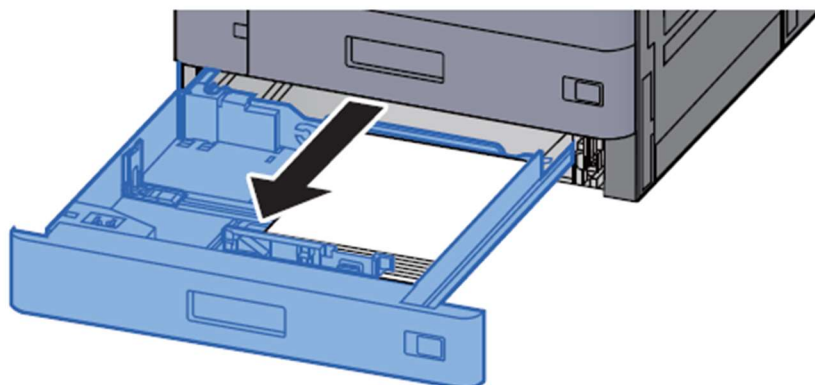
4 Remove any jammed paper.



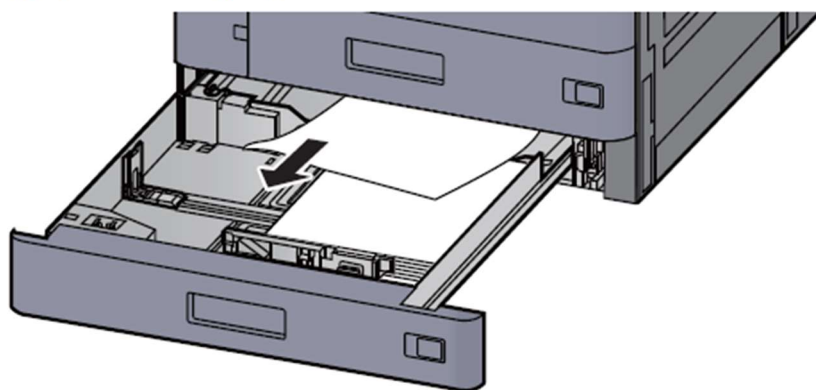
5 Return the cover to the original position.



6 Pull Cassette 2 out toward you until it stops.

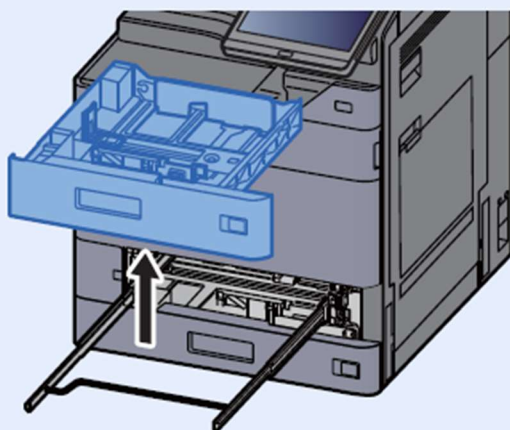


7 Remove any jammed paper.

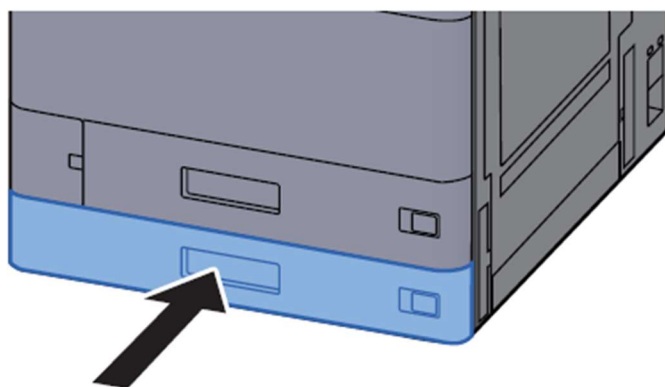


NOTE

To remove paper which is difficult to get access to, the cassette can be removed.



8 Push Cassette 2 back in.



- 9** If the optional side feeder is installed, return the side feeder to the original position.

