

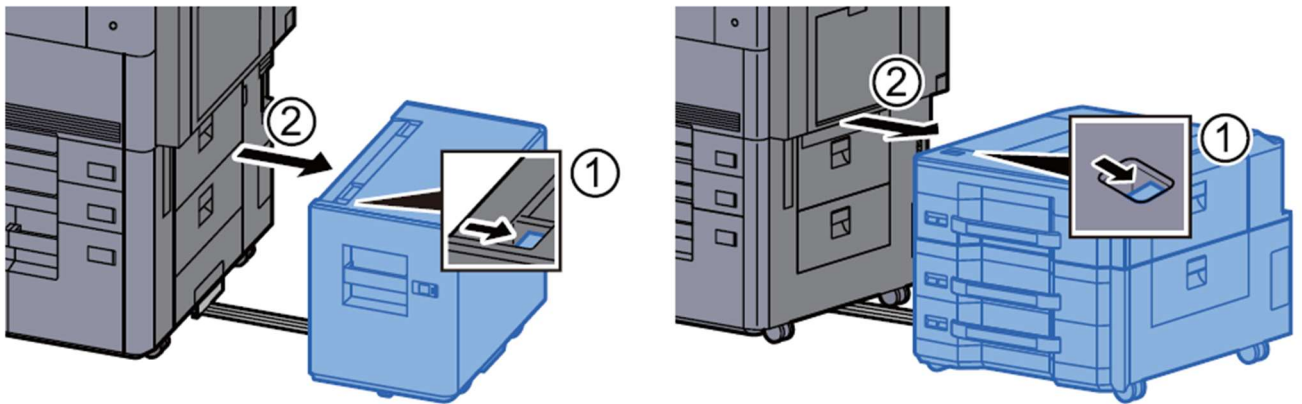
Clearing Paper Jams

Remove any jammed paper in **Cassette 2**

CAUTION

- Do not reuse jammed papers.
- If the paper tears during removal, be sure to remove any loose scraps of paper from inside the machine. Scraps of paper left in the machine could cause subsequent jamming.

1 If the optional side feeder is installed, detach the side feeder.



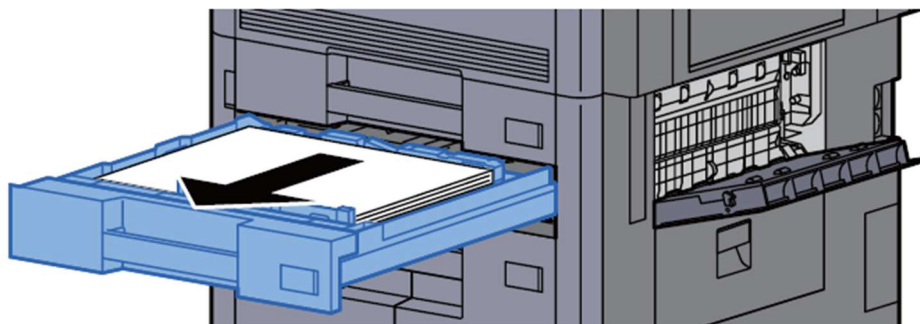
2 Open Right Cover 3.



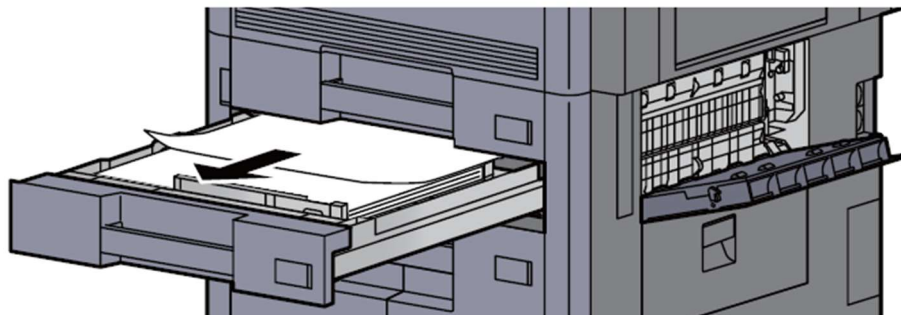
3 Remove any jammed paper.



4 Pull Cassette 2 out toward you until it stops.

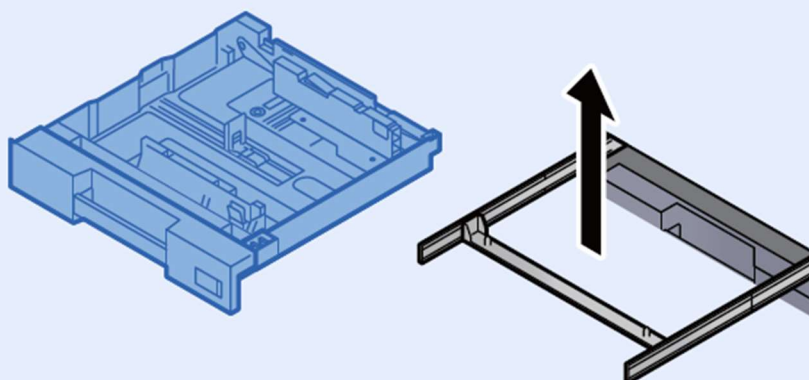


5 Remove any jammed paper.



NOTE

The cassette can be removed.



6 Push Right Cover 3 and Cassette 2 back in.



7 If the optional side feeder is installed, return the side feeder to the original position.

