

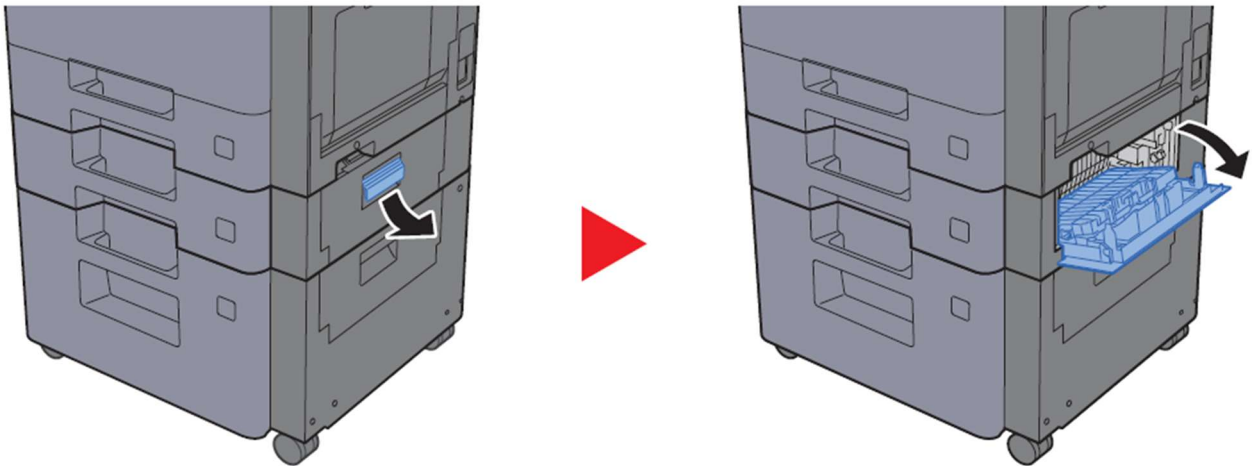
Clearing Paper Jams

Remove any jammed paper in Cassette 3 (2000-sheet × 1)

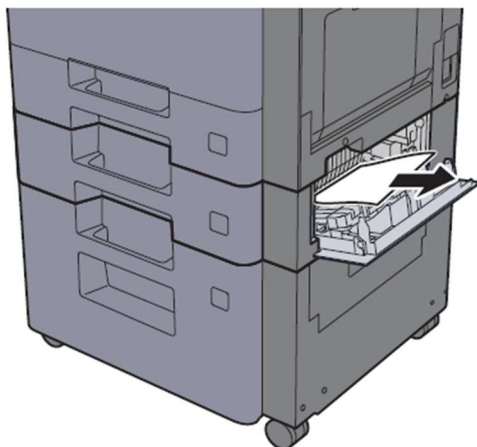
CAUTION

- Do not reuse jammed papers.
- If the paper tears during removal, be sure to remove any loose scraps of paper from inside the machine. Scraps of paper left in the machine could cause subsequent jamming.

1 Open Right Cover 2.



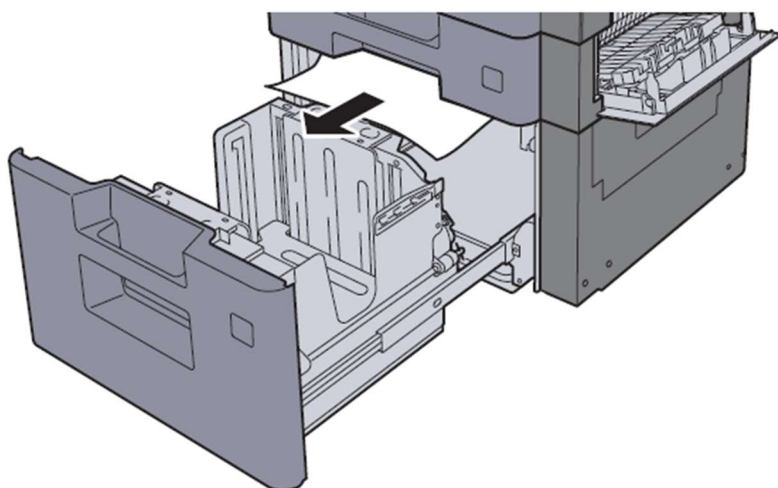
2 Remove any jammed paper.



3 Pull Cassette 3 out toward you until it stops.



4 Remove any jammed paper.



5 Push Right Cover 2 and Cassette 3 back in.

