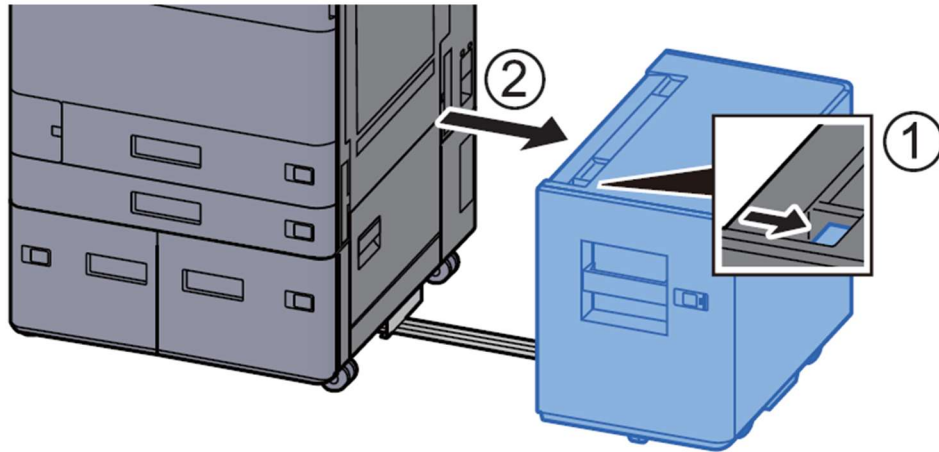


Remove any jammed paper in Cassette 3 (1,500-sheet×2)

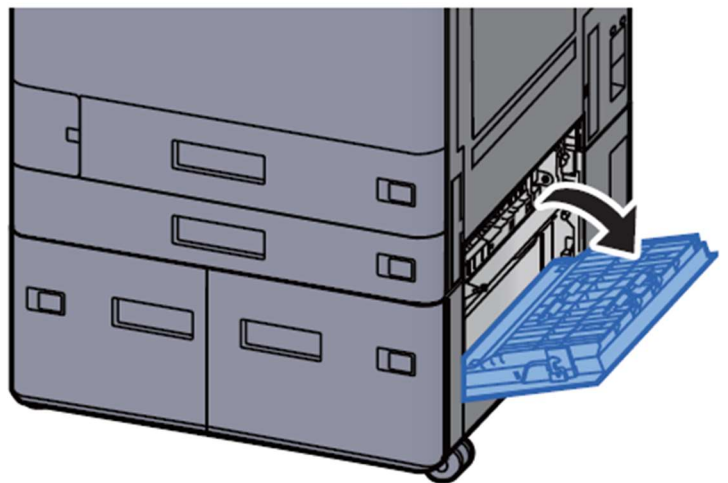
CAUTION

- Do not reuse jammed papers.
- If the paper tears during removal, be sure to remove any loose scraps of paper from inside the machine. Scraps of paper left in the machine could cause subsequent jamming.

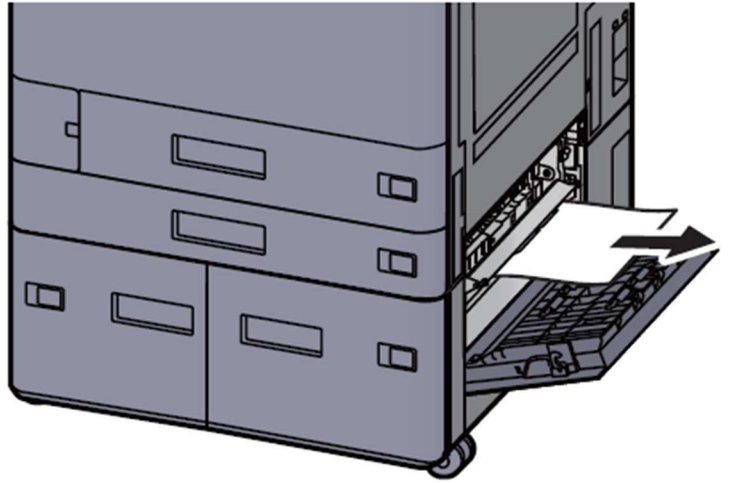
1 If the optional side feeder is installed, detach the side feeder.



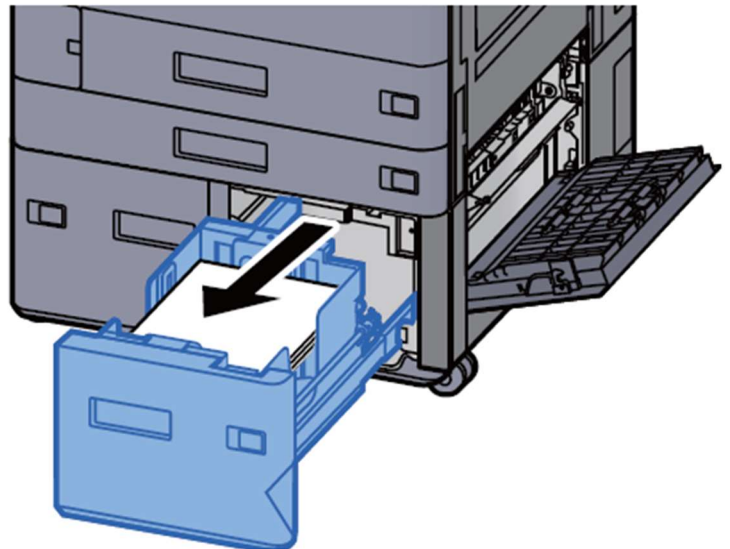
2 Open Right Cover 2.



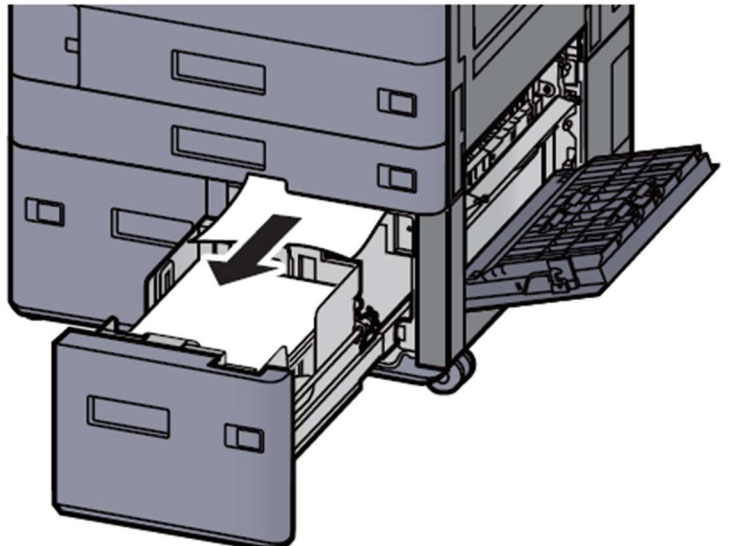
3 Remove any jammed paper.



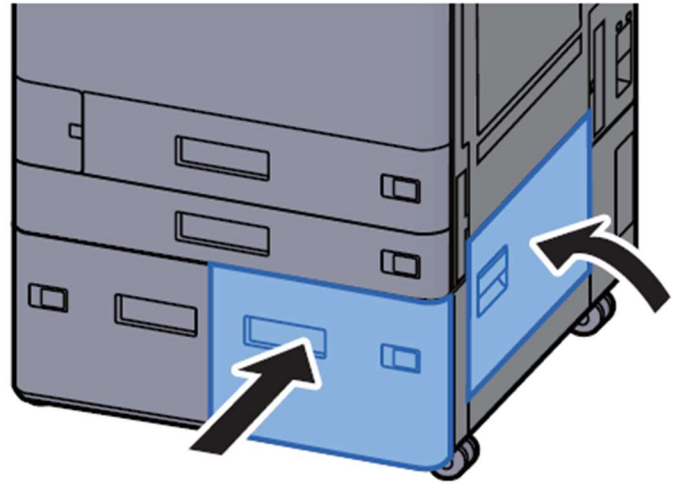
4 Pull Cassette 3 out toward you until it stops.



5 Remove any jammed paper.



6 Push Right Cover 2 and Cassette 3 back in.



7 If the optional side feeder is installed, return the side feeder to the original position.

