

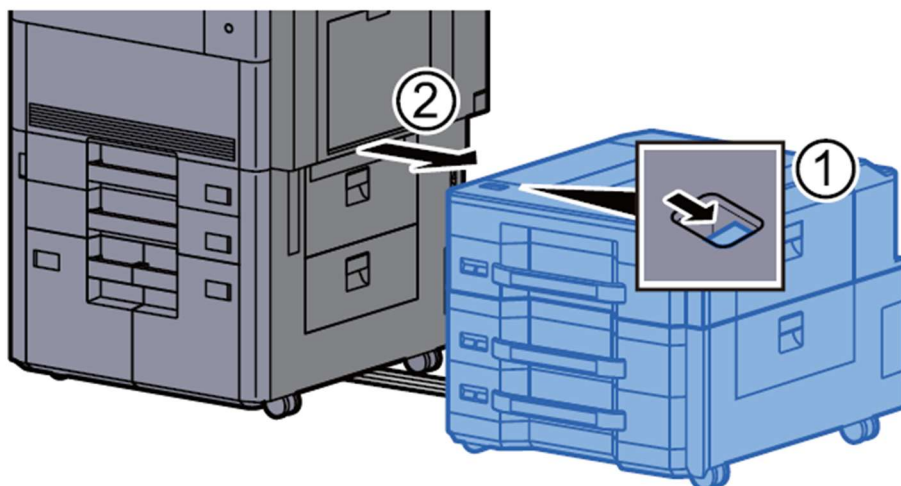
# Clearing Paper Jams

**Remove any jammed paper in Cassette 5 (Side Feeder (500-sheet×3)/Large Capacity Side Feeder (500, 1,500-sheet×2))**

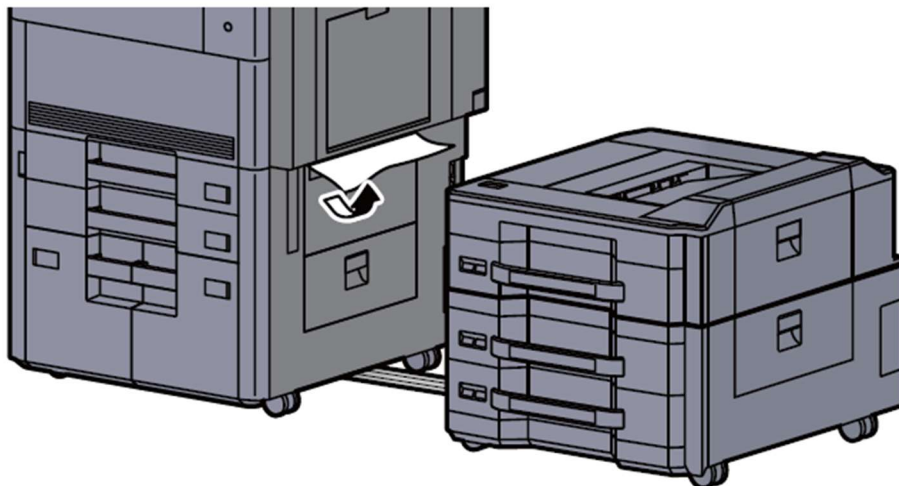
## CAUTION

- Do not reuse jammed papers.
- If the paper tears during removal, be sure to remove any loose scraps of paper from inside the machine. Scraps of paper left in the machine could cause subsequent jamming.

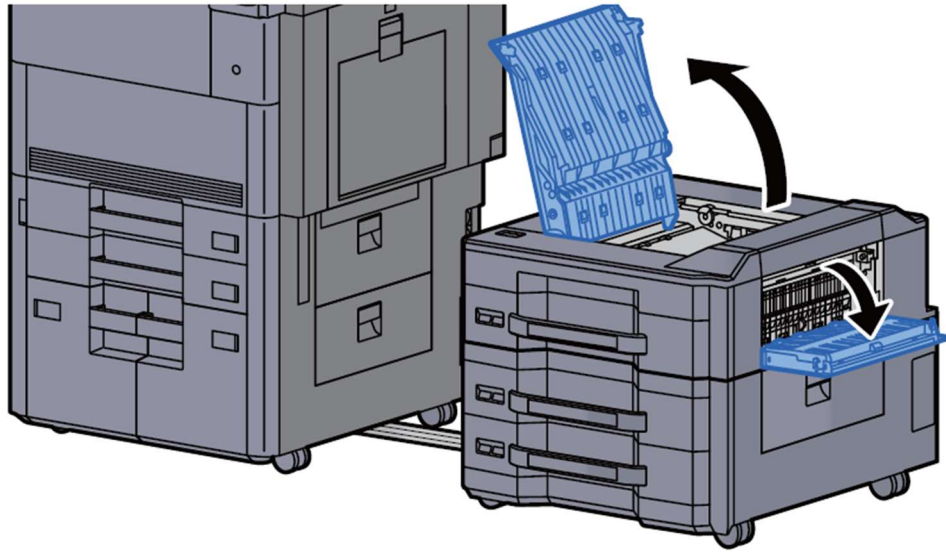
### **1 Detach the side feeder.**



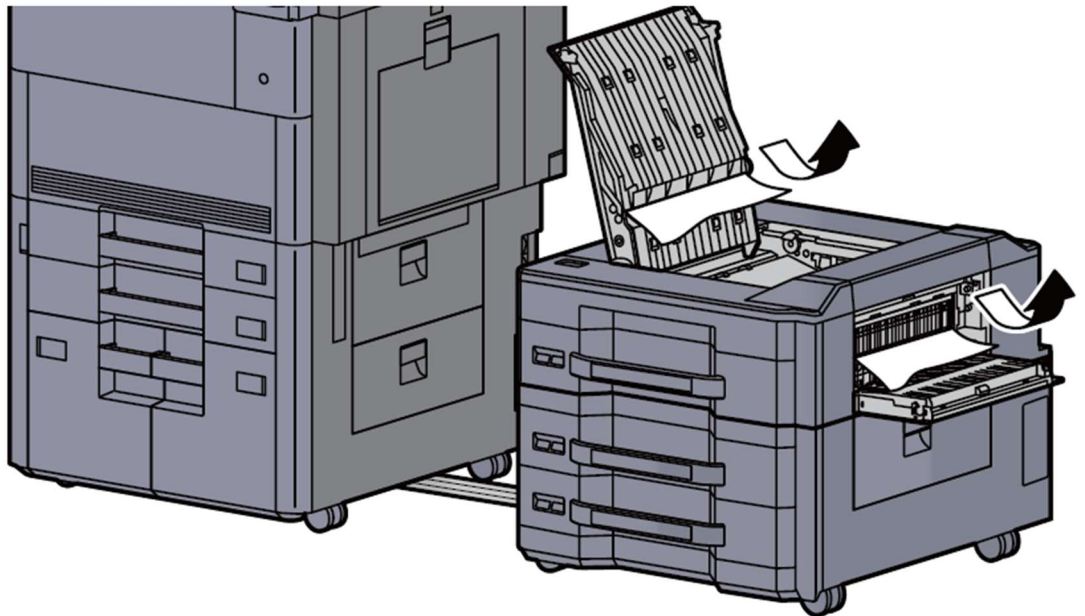
### **2 Remove any jammed paper.**



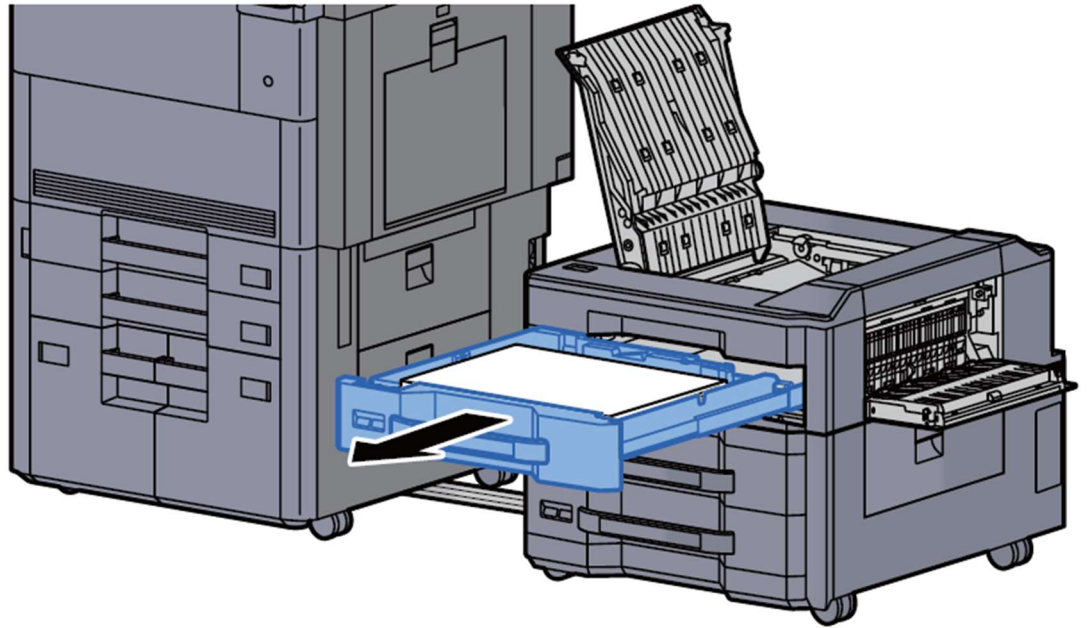
- 3** Open the side feeder top cover and the side feeder right cover  
1.



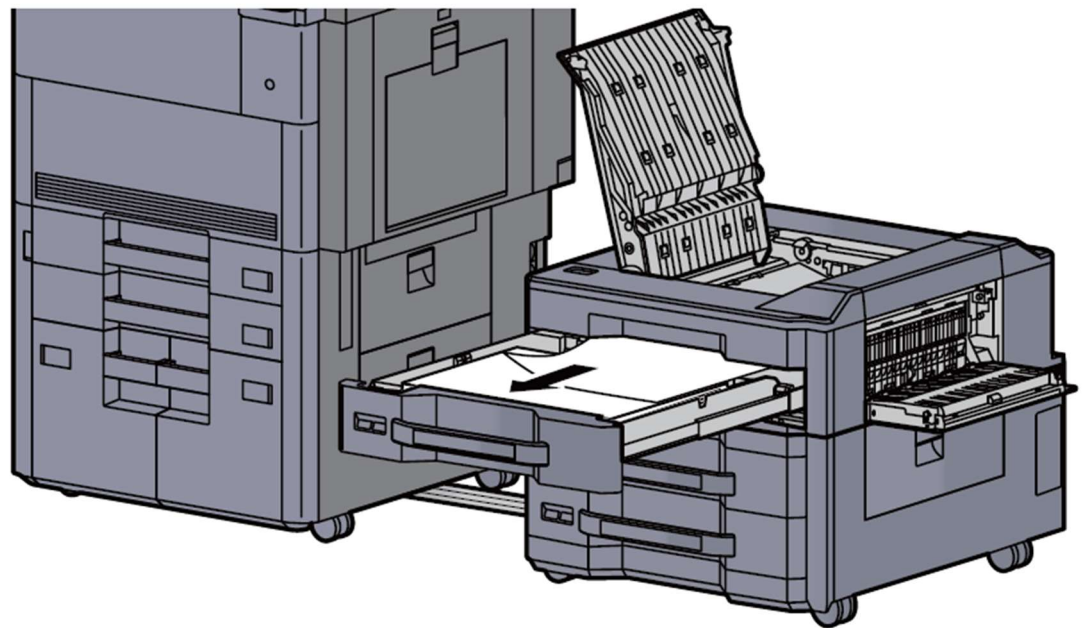
- 4** Remove any jammed paper.



**5 Pull Cassette 5 out toward you until it stops.**

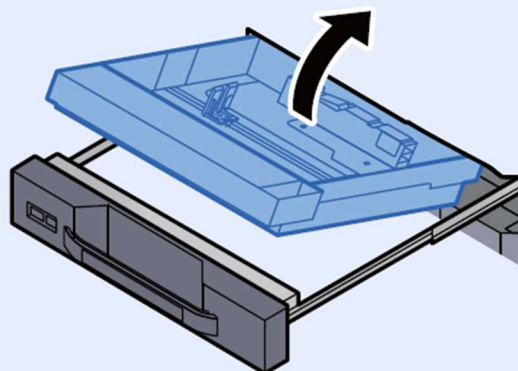


**6 Remove any jammed paper.**

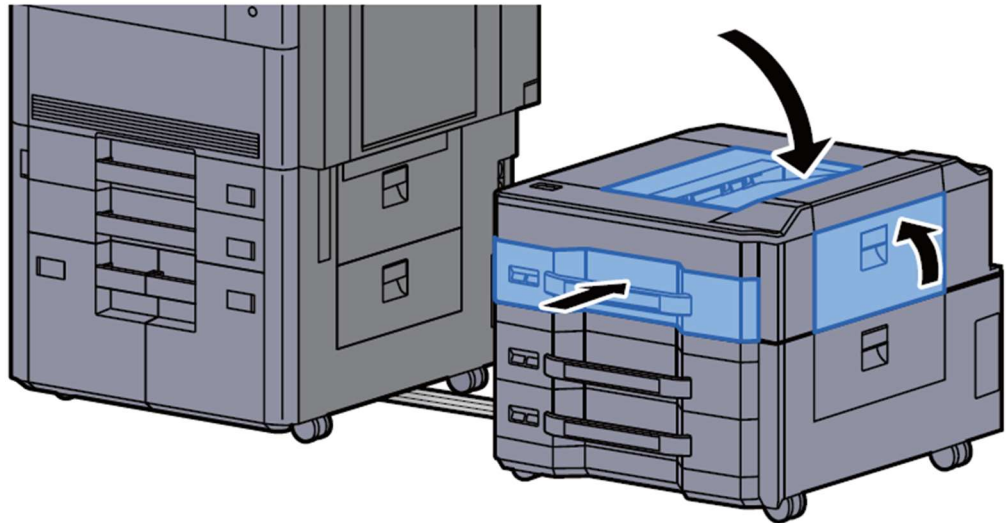


**NOTE**

The cassette can be removed.



**7** Return Cassette 5 and the covers to the original position.



**8** Return the side feeder to the original position.

