

# Regular Maintenance

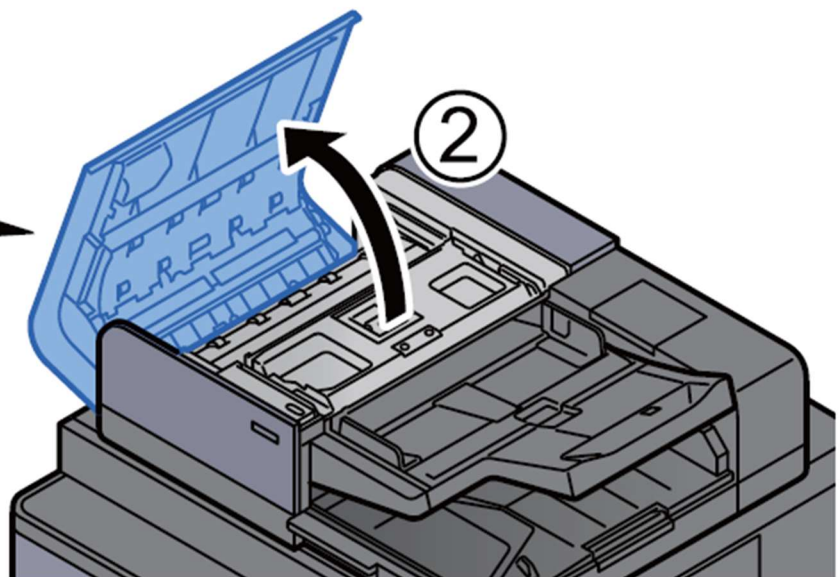
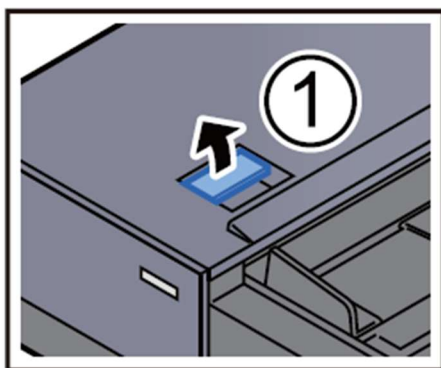
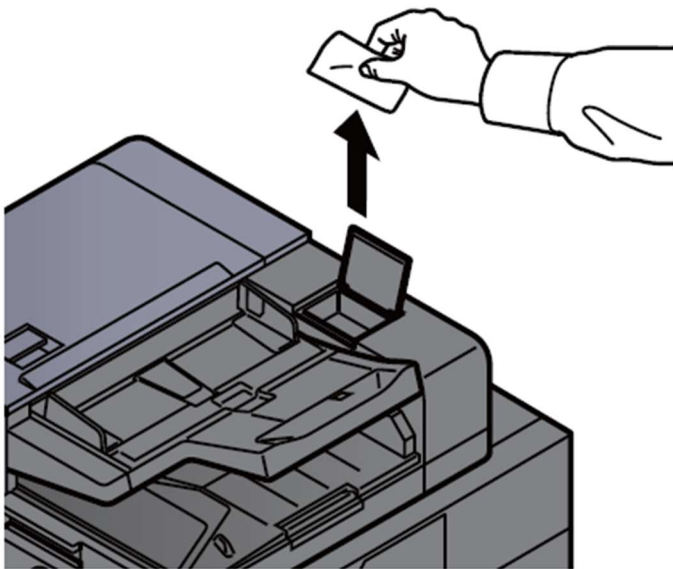
## Cleaning inside of the Document Processor

Clean the dual scanning unit with the supplied cleaning cloth.

✔ **IMPORTANT**

Do not use thinner or other organic solvents.

- 1 Remove the cloth from the cleaning cloth compartment and open the document processor cover.**



## 2 Clean inside of the document processor.

