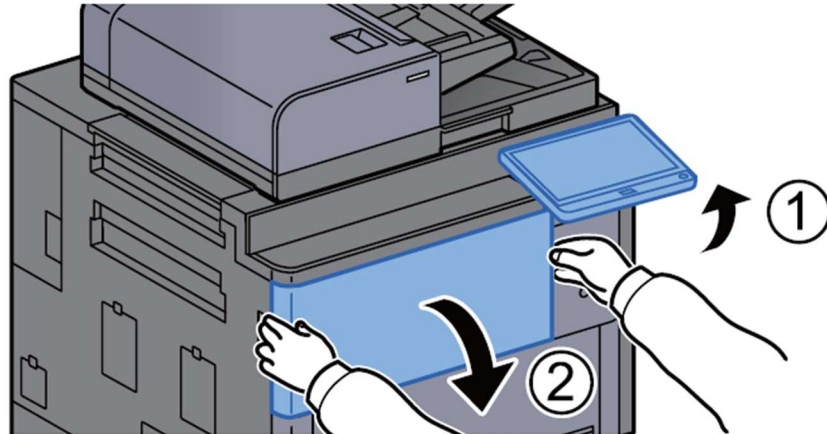


Regular Maintenance

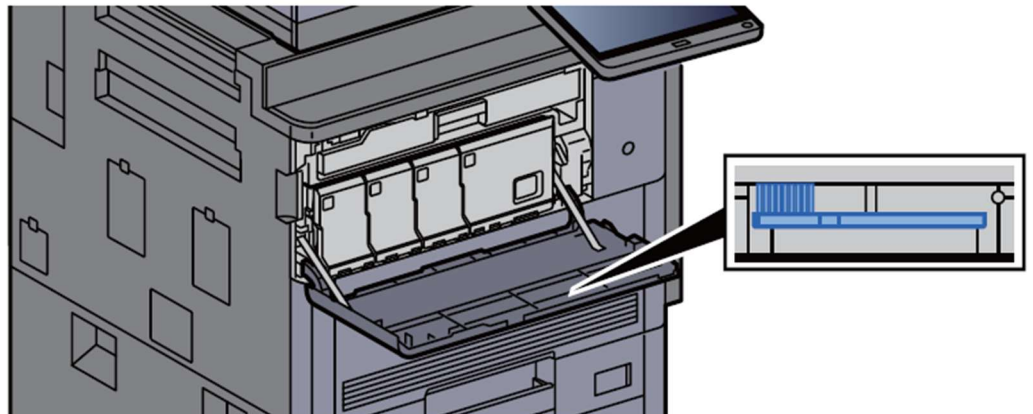
Cleaning Separator

Clean the separator regularly (at least monthly) to ensure optimum printing quality.

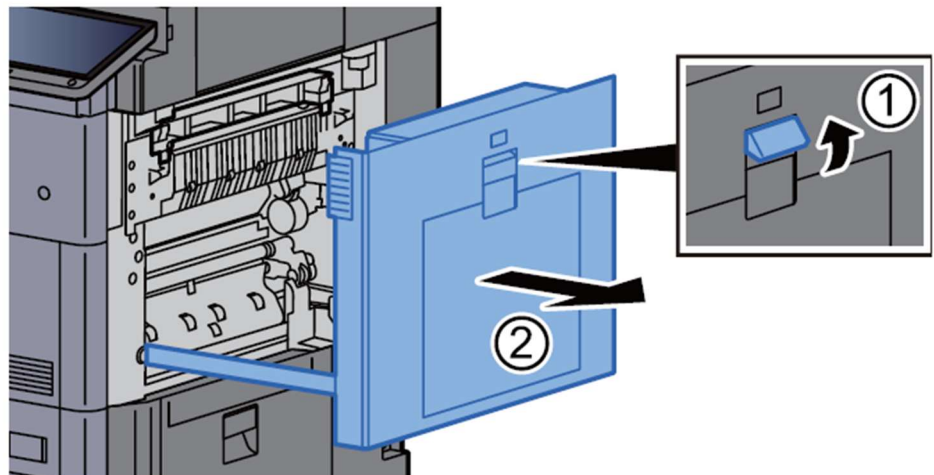
- 1 Tilt the operation panel upwards and open the front cover.**



- 2 Remove the cleaning brush.**

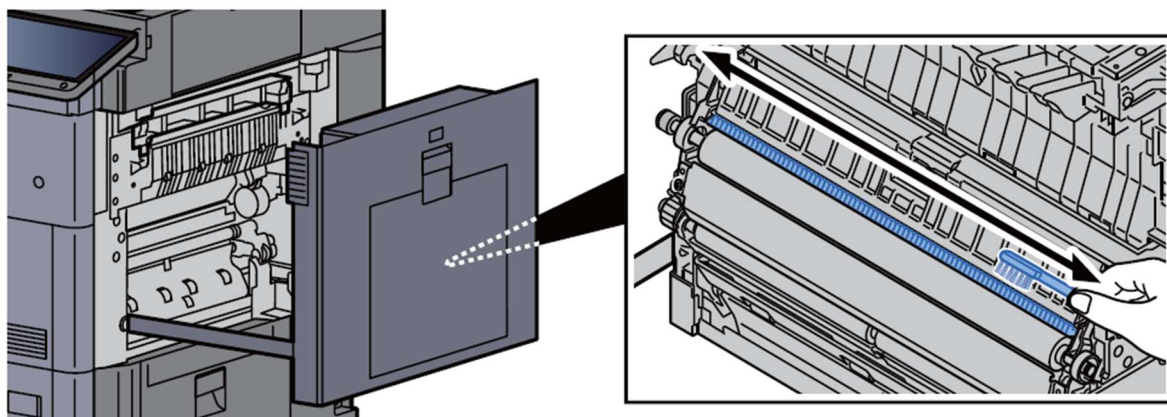


- 3 Open Right Cover 1.**

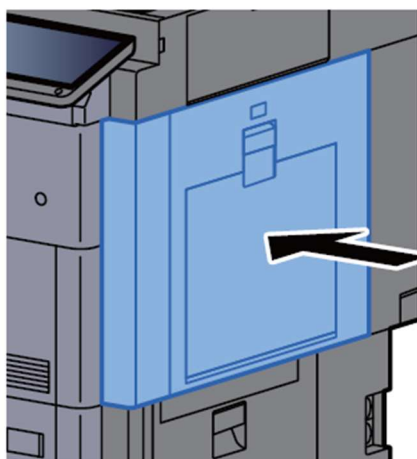


4 Clean the separator.

Clean dirt from the separator by moving the brush from side to side along the separator.



5 Return the cover to the original position.



6 Put away the cleaning brush and close the front cover.



