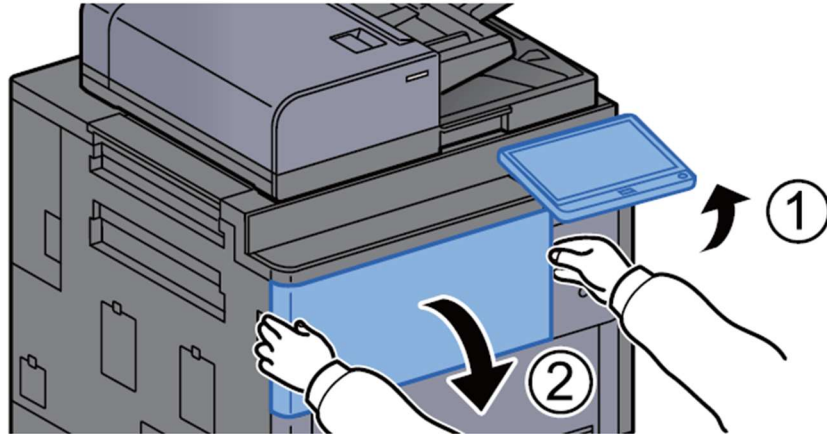


Regular Maintenance

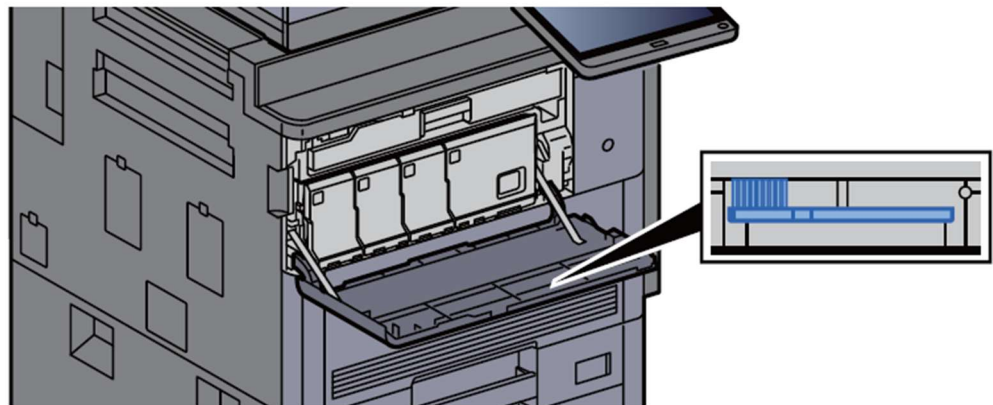
Cleaning Transfer Roller

Clean the transfer roller regularly (at least monthly) to ensure optimum printing quality.

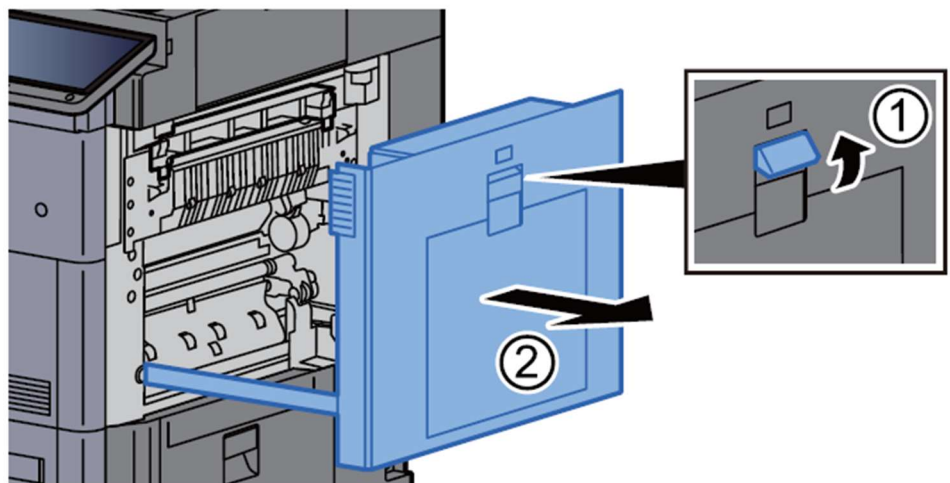
- 1 Tilt the operation panel upwards and open the front cover.**



- 2 Remove the cleaning brush.**

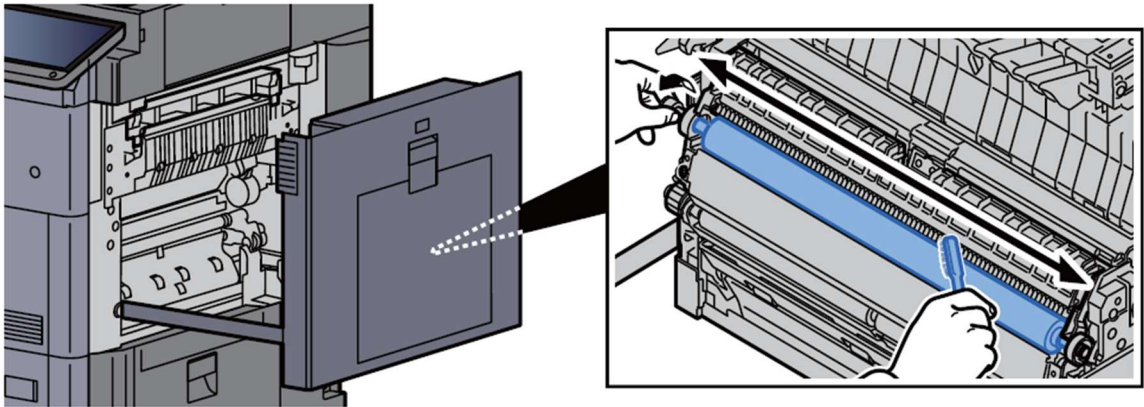


- 3 Open Right Cover 1.**

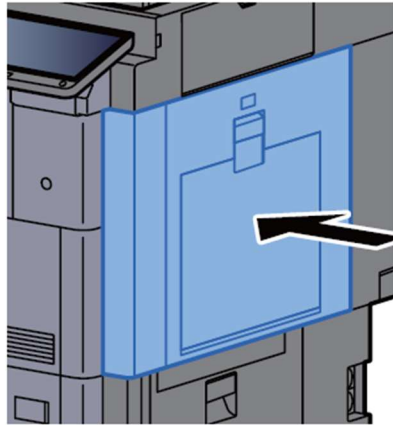


4 Clean the transfer roller.

Clean dirt from the transfer roller by moving the brush from side to side along the roller while rotating the roller by turning the gear at the right end of the roller.



5 Return the cover to the original position.



6 Put away the cleaning brush and close the front cover.

