

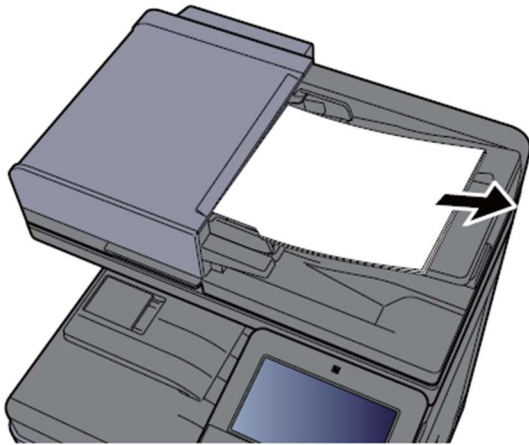
Clearing Paper Jams

Remove any jammed paper in the Document Processor (Dual Scan)

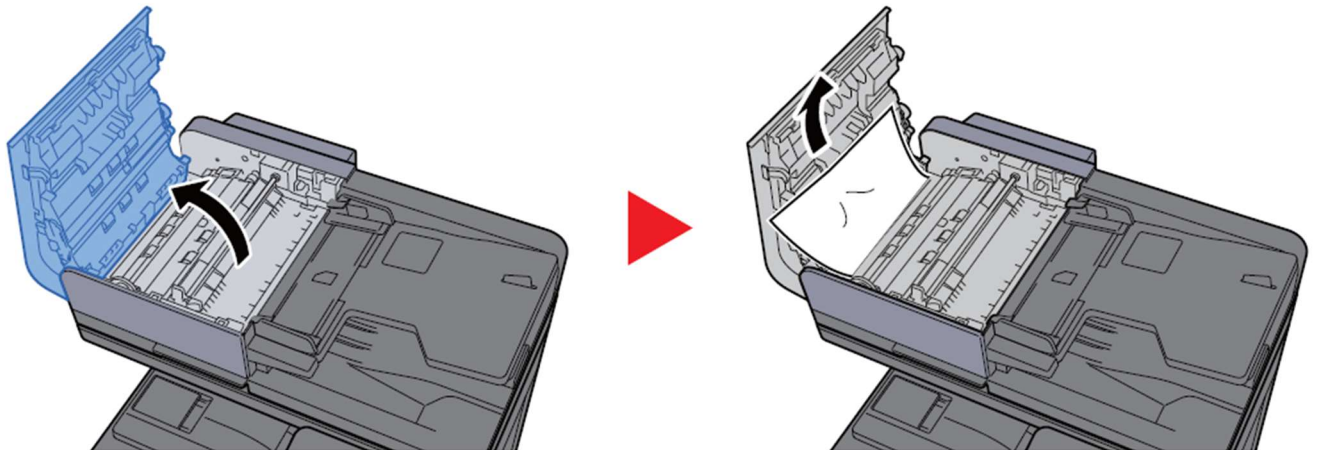
CAUTION

If the paper tears during removal, be sure to remove any loose scraps of paper from inside the machine. Scraps of paper left in the machine could cause subsequent jamming.

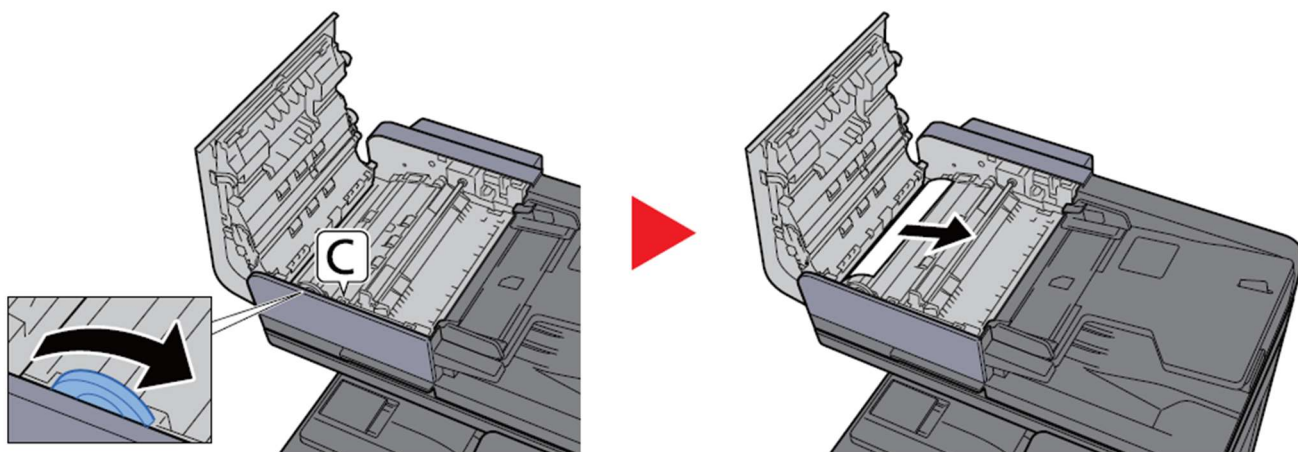
1 Remove the originals from the Original Table.



2 Open the front cover and remove any jammed paper.



3 Turn dial (C) clockwise and remove any jammed originals.



4 Push the cover.

