

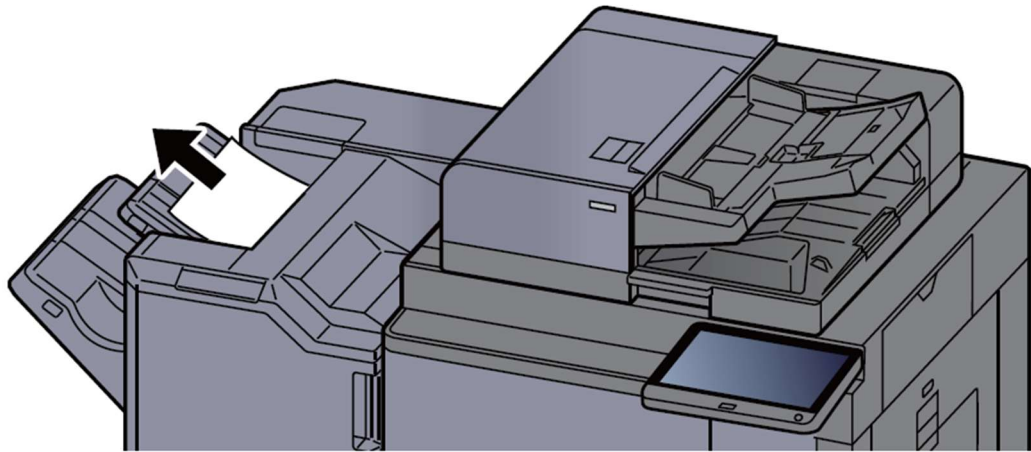
Clearing Paper Jams

Remove any jammed paper in the 4,000-sheet Finisher/100-sheet Staple Finisher (Tray B)

CAUTION

- Do not reuse jammed papers.
- If the paper tears during removal, be sure to remove any loose scraps of paper from inside the machine. Scraps of paper left in the machine could cause subsequent jamming.

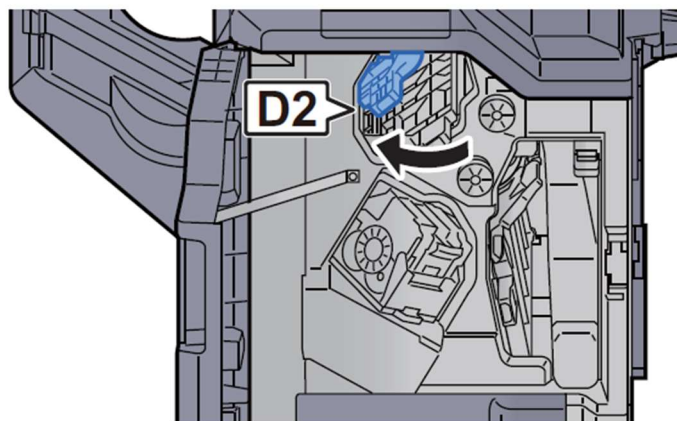
1 Remove any jammed paper.



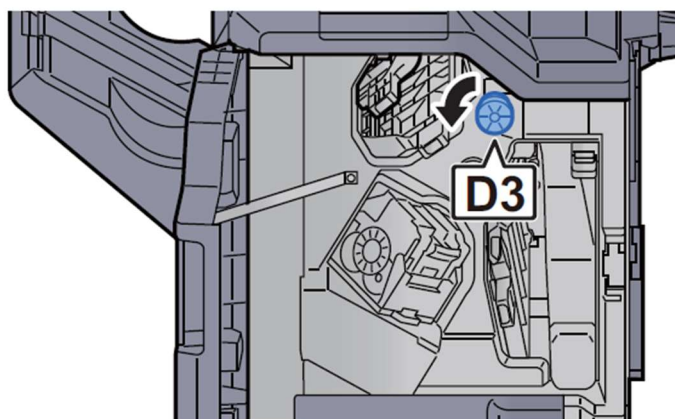
2 Open the finisher front cover 1.



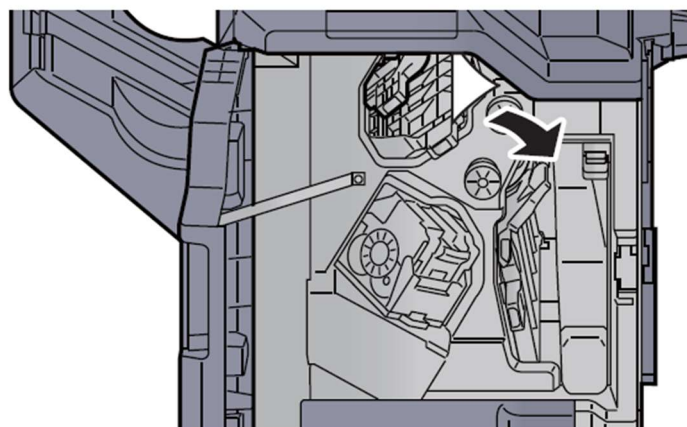
3 Open the conveyor guide (D2).



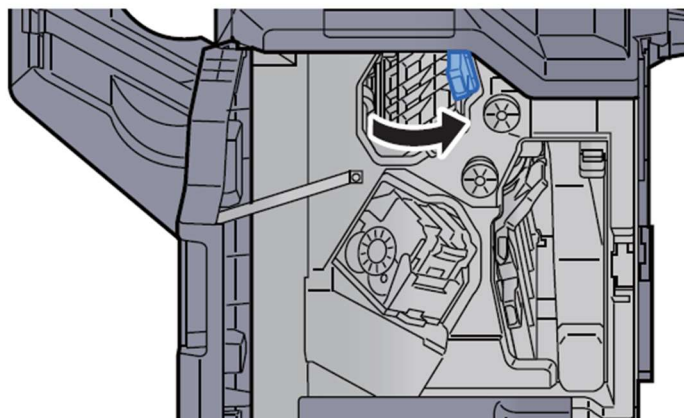
4 Turn knob (D3).



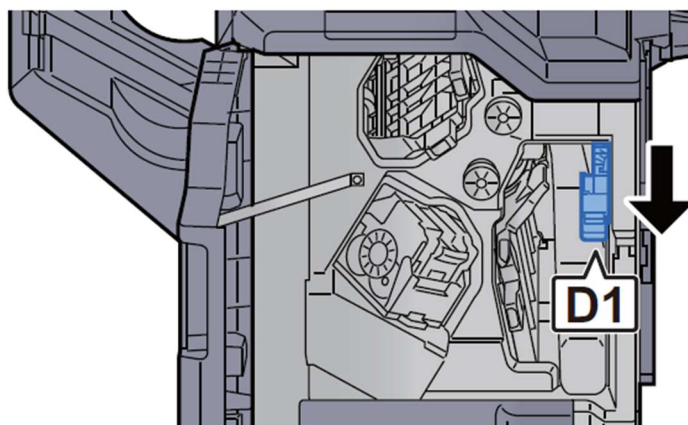
5 Remove any jammed paper.



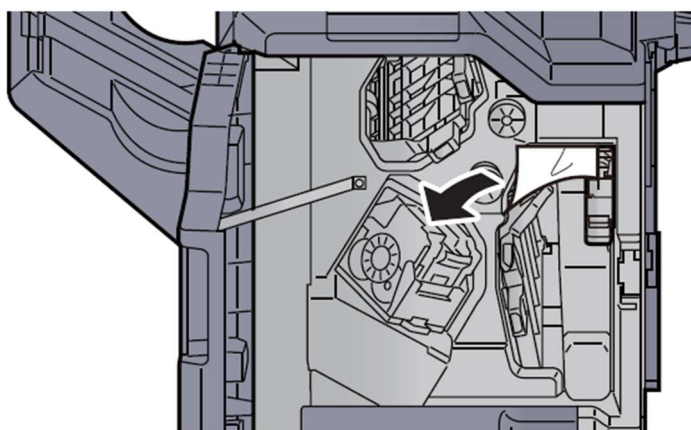
6 Return the conveyor guide (D2) to the original position.



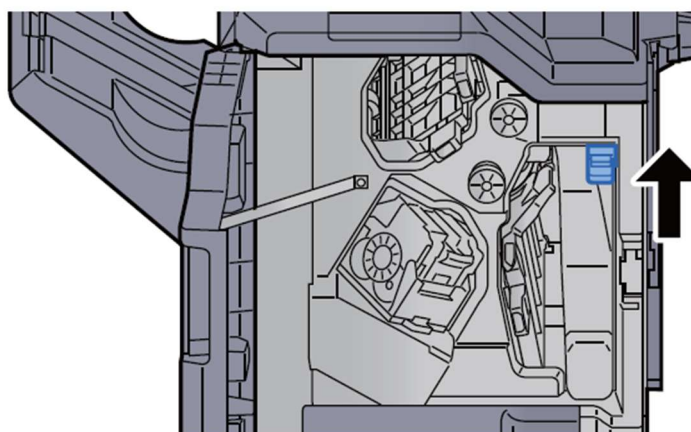
7 Open the conveyor guide (D1).



8 Remove any jammed paper.



9 Return the conveyor guide (D1) to the original position.



10 Return the cover to the original position.

