

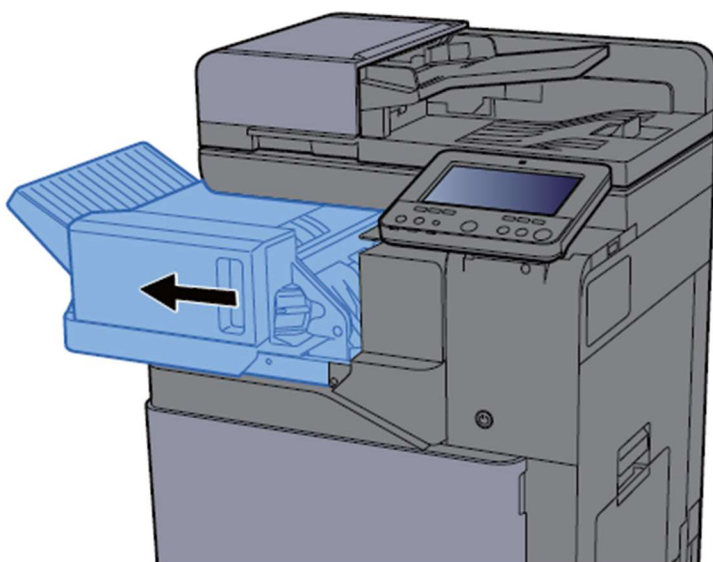
Clearing Paper Jams

Remove any jammed paper in the Inner Finisher

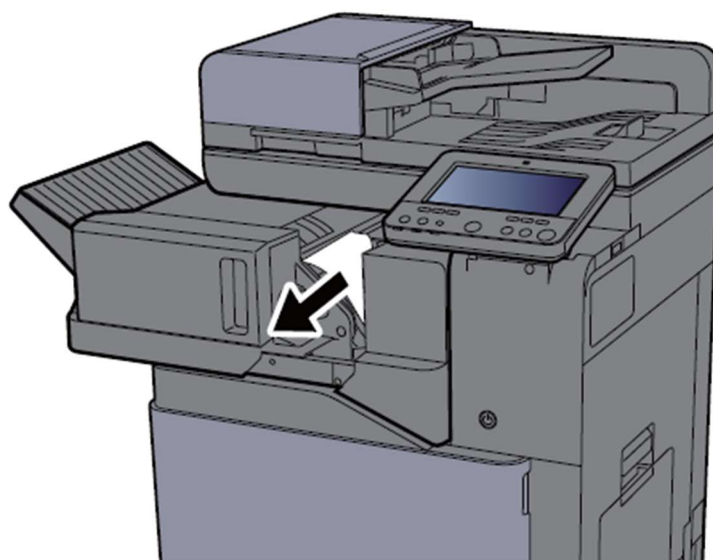
CAUTION

- Do not reuse jammed papers.
- If the paper tears during removal, be sure to remove any loose scraps of paper from inside the machine. Scraps of paper left in the machine could cause subsequent jamming.

1 Open the inner finisher unit.



2 Remove any jammed paper.



3 Return the unit to the original position.

