

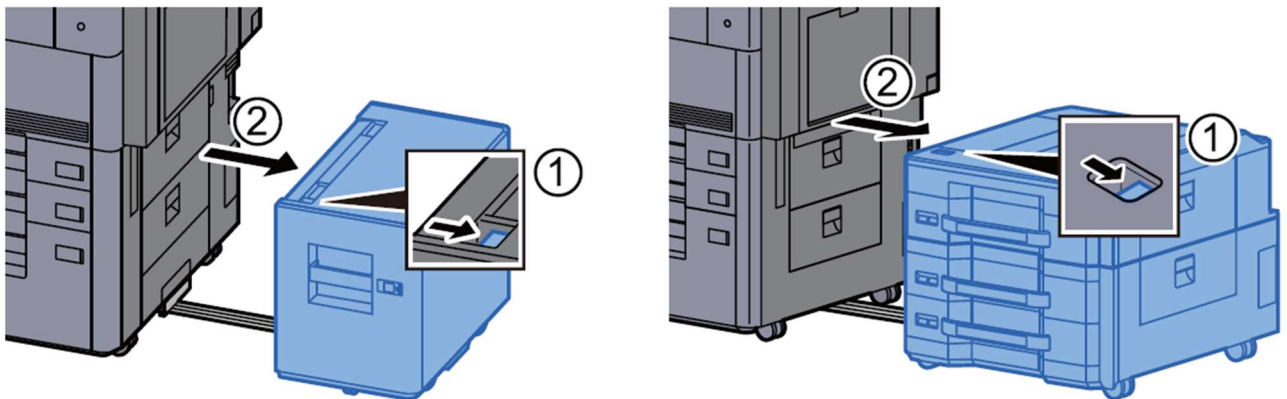
Clearing Paper Jams

Remove any jammed paper in Right Cover 4

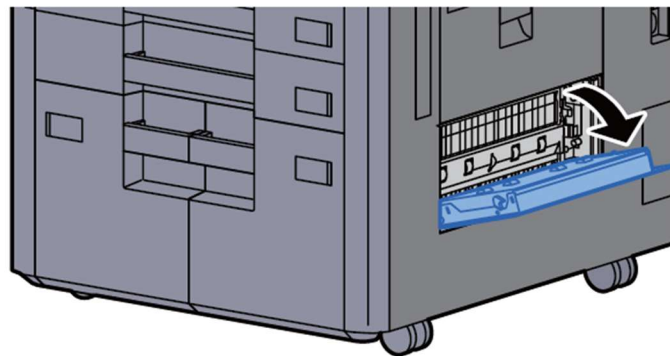
CAUTION

The fixing unit is extremely hot. Take sufficient care when working in this area, as there is a danger of getting burned.

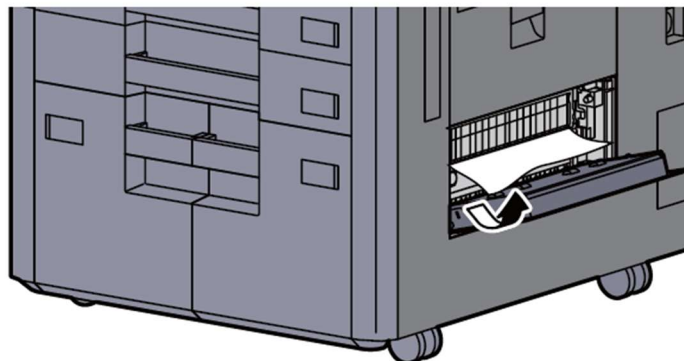
1 If the optional side feeder is installed, detach the side feeder.



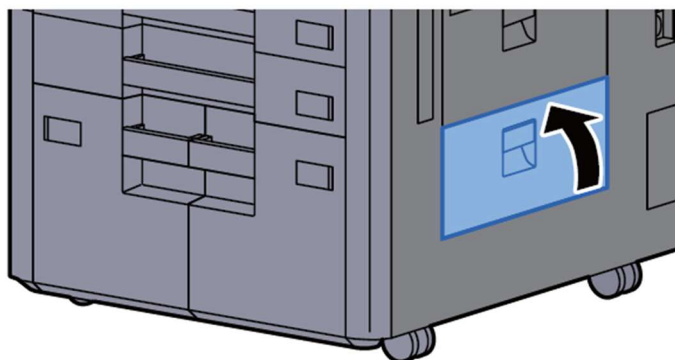
2 Open Right Cover 4.



3 Remove any jammed paper.



4 Return the cover to the original position.



5 If the optional side feeder is installed, return the side feeder to the original position.

