

# Regular Maintenance

## Toner Container Replacement

When toner is empty, the following message will be displayed. Replace the toner container.

"Toner [C][M][Y][K] is empty."

When toner runs low, the following message will be displayed. Make sure you have a new toner container available for replacement.

"Toner [C][M][Y][K] is low. (Replace when empty.)"

### NOTE

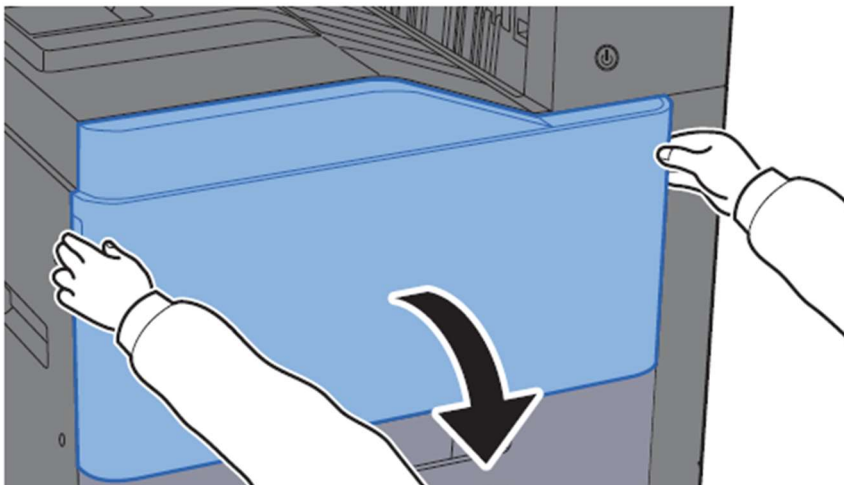
- For the toner container, always use a genuine toner container. Using a toner container that is not genuine may cause image defects and product failure.
- The memory chip in the toner container of this product stores information necessary for improving customer convenience, operation of the recycling system for used toner containers, and planning and development of new products. The stored information does not include information that makes it possible to identify individuals, and is only used anonymously for the above purposes.

### CAUTION

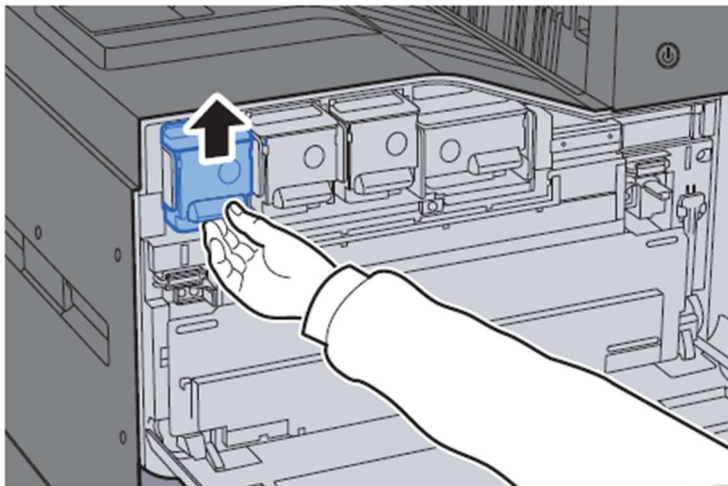
**Do not attempt to incinerate parts which contain toner. Dangerous sparks may cause burns.**

Installation procedures of the toner container is same for every color. Here, we'll explain the procedures for the yellow toner container, as an example.

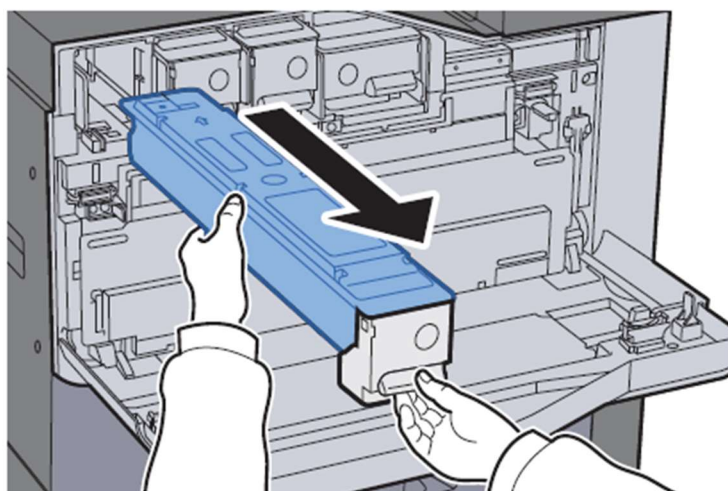
## 1 Open the front cover.



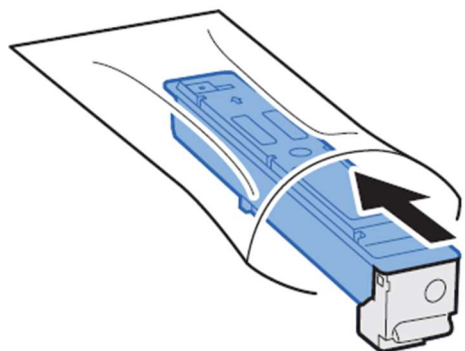
**2** **Unlock the toner container.**



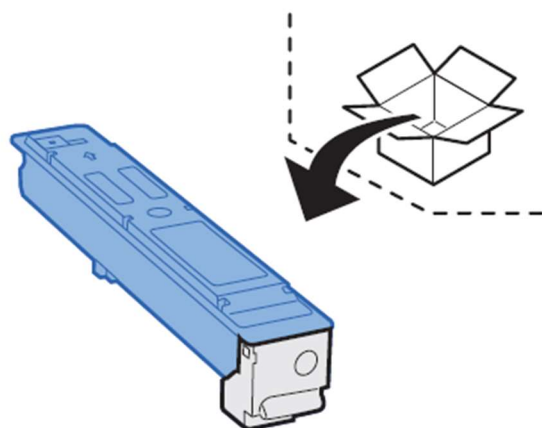
**3** **Remove the toner container.**



**4** **Put used toner container into the plastic waste bag.**

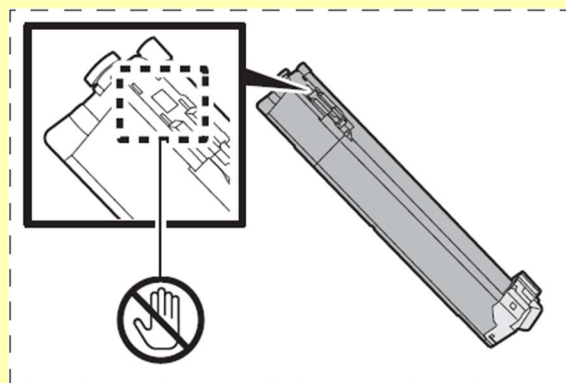


## 5 Remove the new toner container from the box.

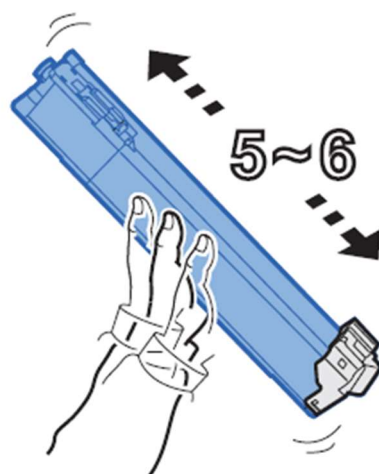


### ✔ IMPORTANT

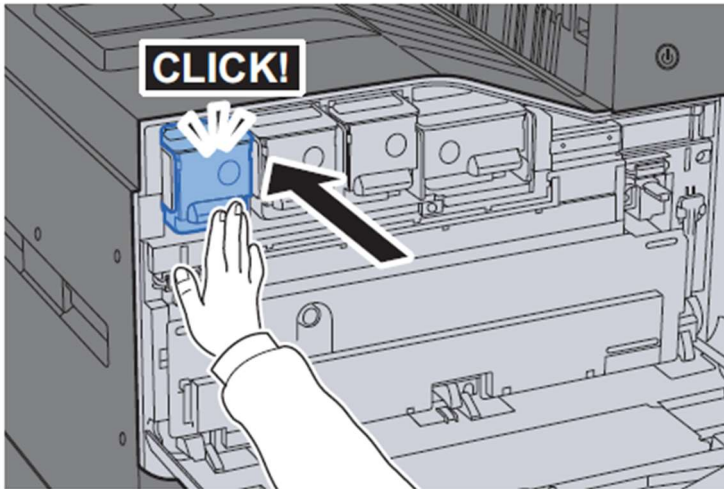
Do not touch the points shown below.



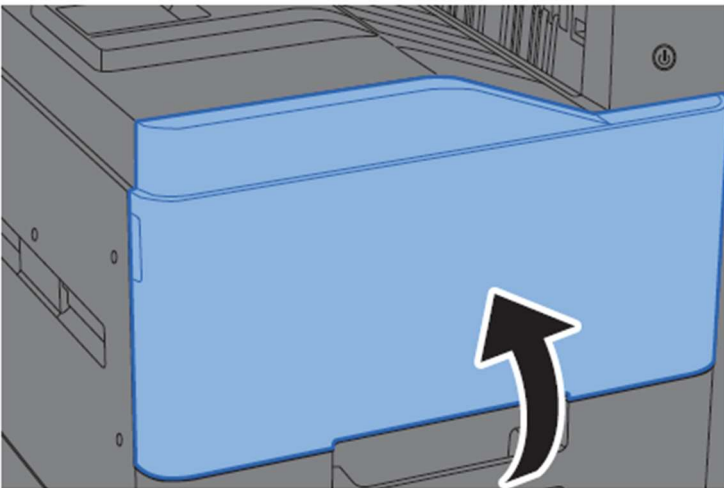
## 6 Shake the toner container.



## 7 Install the toner container.



## 8 Close the front cover.



### NOTE

- If the front cover does not close, check that the new toner container is installed correctly.
- Return the exhausted toner container to your dealer or service representative. The collected toner container will be recycled or disposed in accordance with the relevant regulations.