

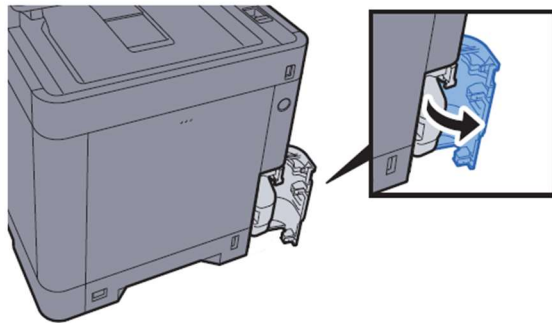
Waste Toner Box Replacement

When the waste toner box becomes full, immediately replace the waste toner box.

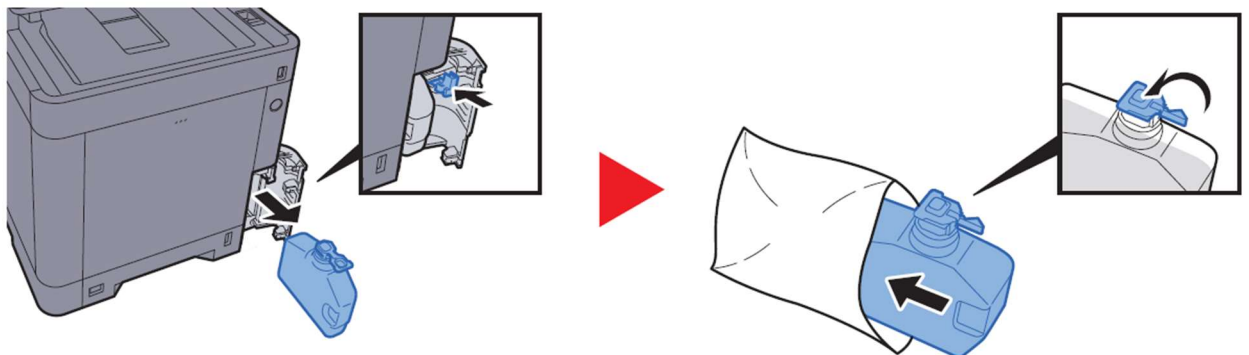
CAUTION

Do not attempt to incinerate parts which contain toner. Dangerous sparks may cause burns.

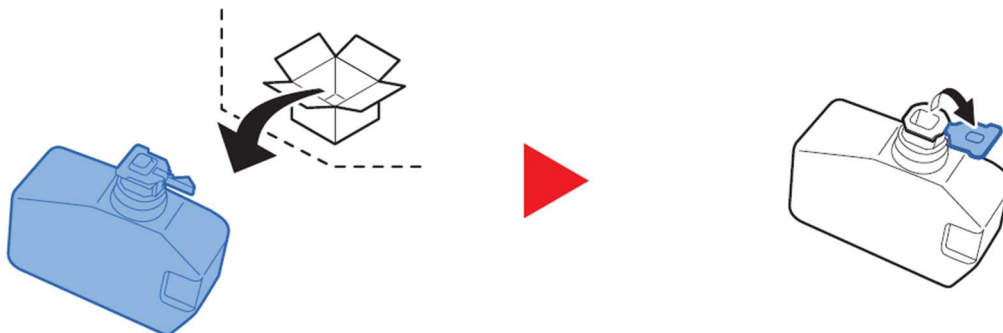
1



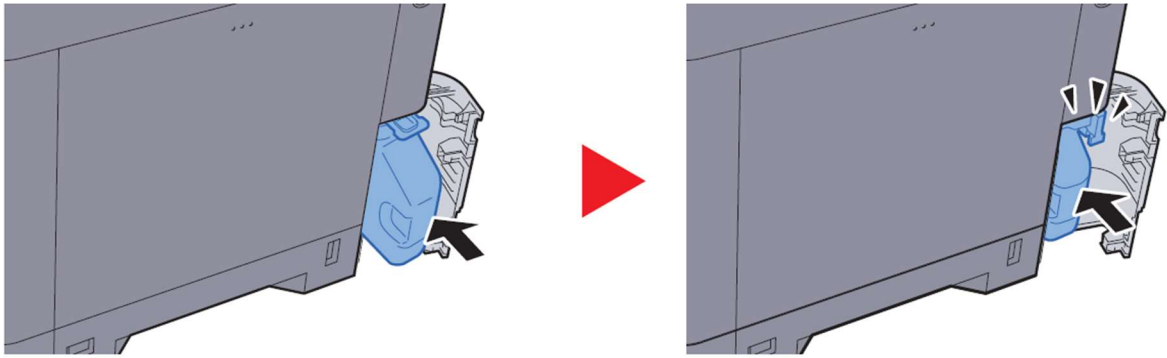
2



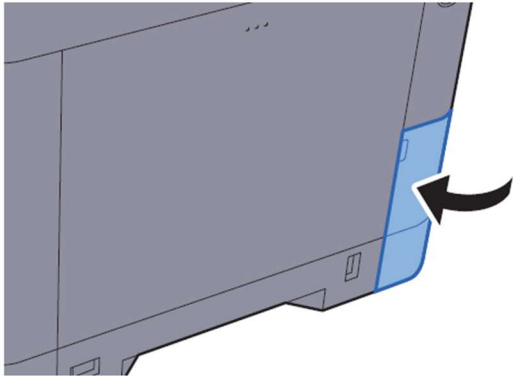
3



4



5



NOTE

Return the exhausted waste toner box to your dealer or service representative. The collected waste toner box will be recycled or disposed in accordance with the relevant regulations.

