

# Regular Maintenance

## Replace the Waste Toner Box

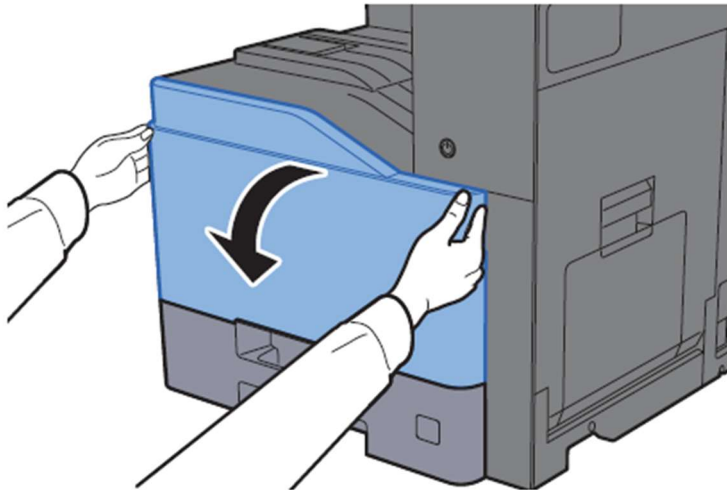
When the waste toner box is full, the following message will be displayed. Immediately replace the waste toner box.  
"Replace the waste toner box."

### CAUTION

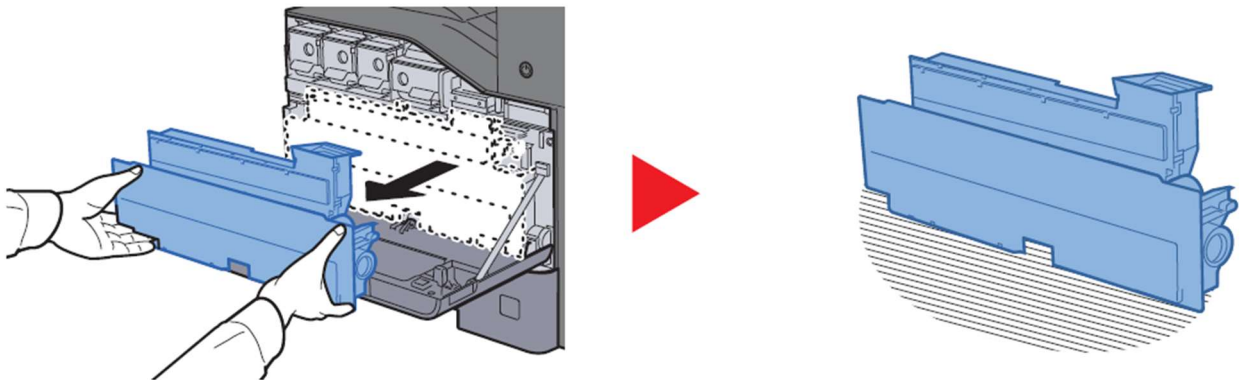
Do not attempt to incinerate parts which contain toner. Dangerous sparks may cause burns.

## TASKalfa 408ci/TASKalfa 508ci

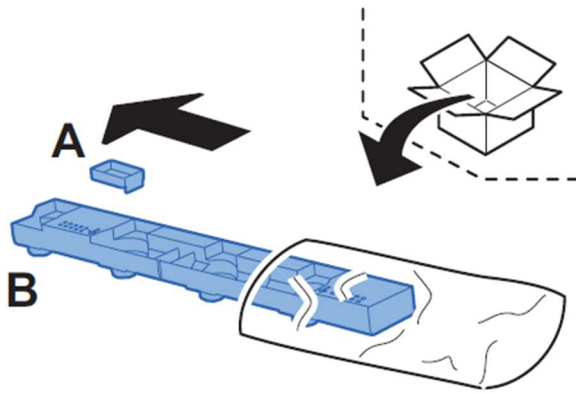
### **1** Open the front cover.



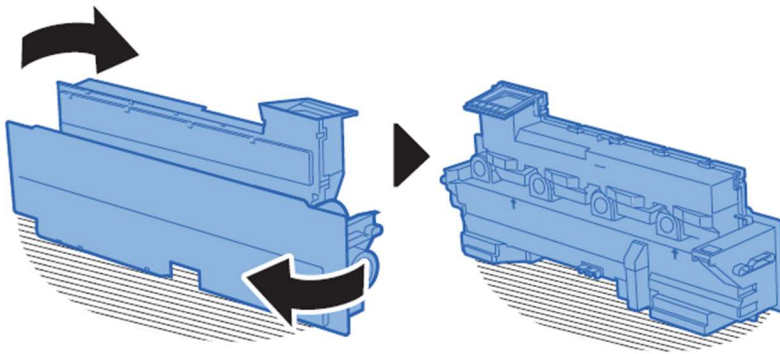
### **2** Remove the Waste Toner Box and put it on the flat surface.



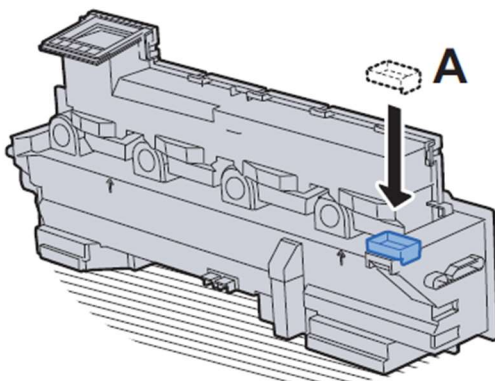
**3 Remove the caps inside.**



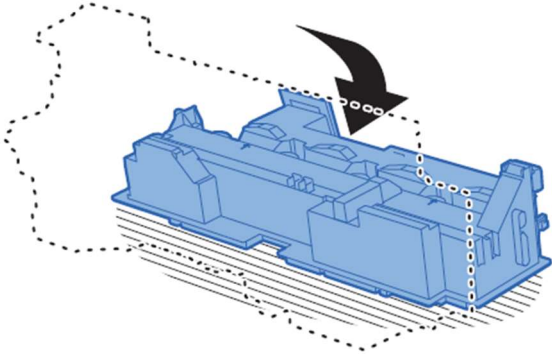
**4 Change the direction of the used Waste Toner Box as show below.**



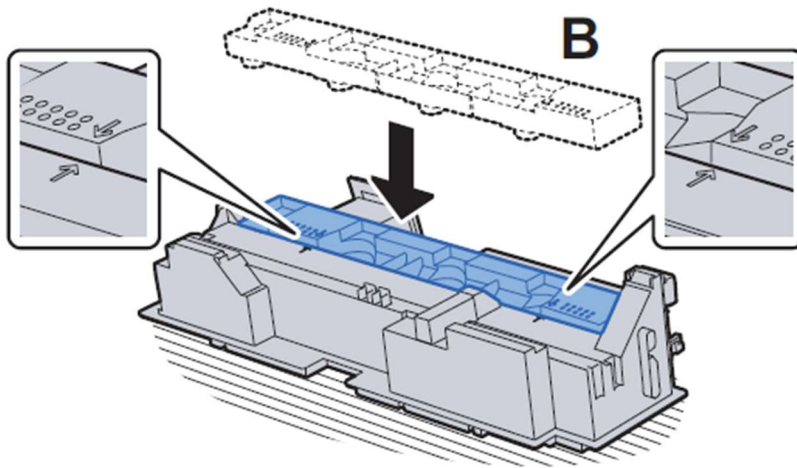
**5 Attach the Cap A.**



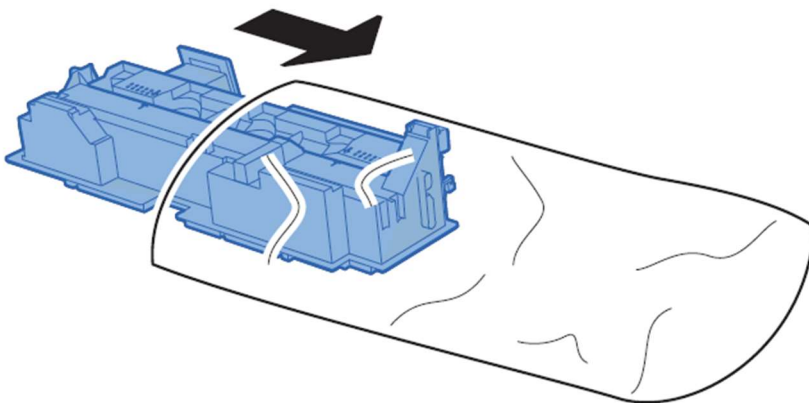
- 6** Change the direction of the used Waste Toner Box as show below.



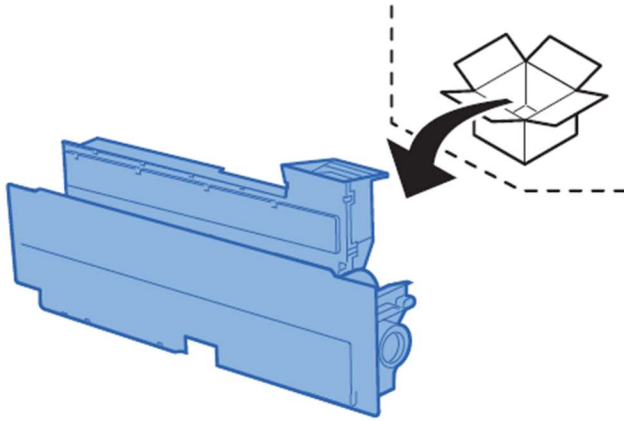
- 7** Attach the Cap B.



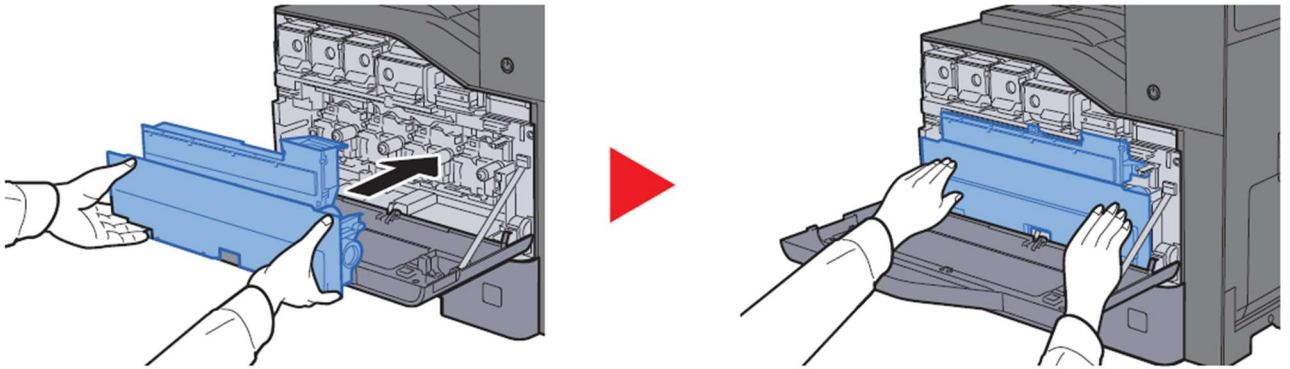
- 8** Put the used Waste Toner Box into the plastic waste bag.



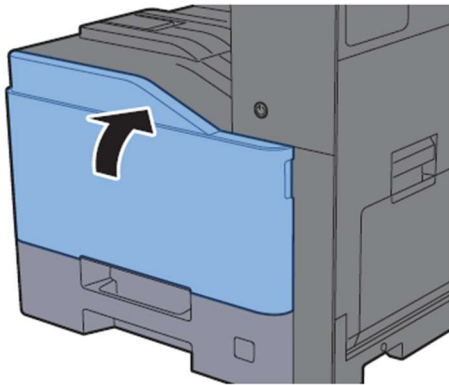
## 9 Unpack the new Waste Toner Box.



## 10 Install the new Waste Toner Box.



## 11 Close the front cover.



### NOTE

Return the exhausted waste toner box to your dealer or service representative. The collected waste toner box will be recycled or disposed in accordance with the relevant regulations.

