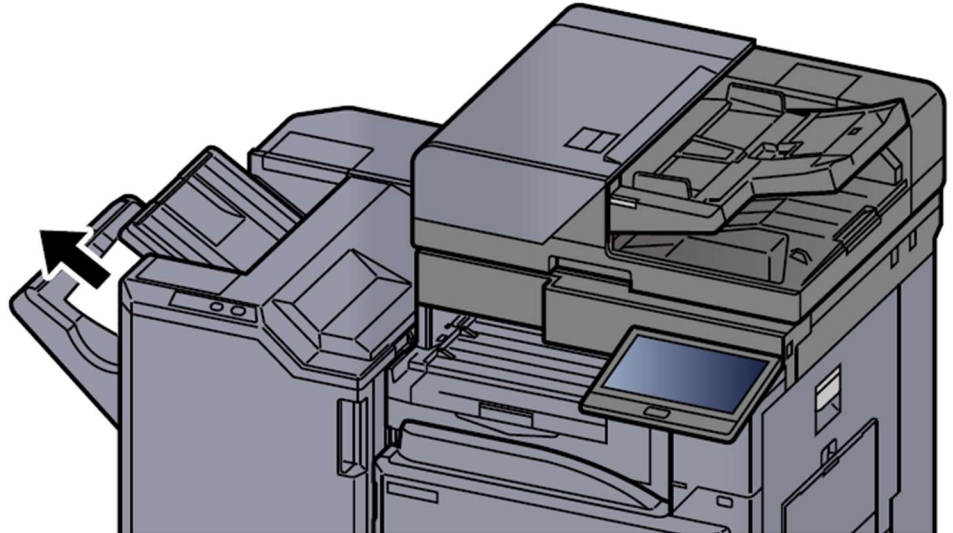


Remove any jammed paper in the 3,000-Sheet Finisher (Tray A)

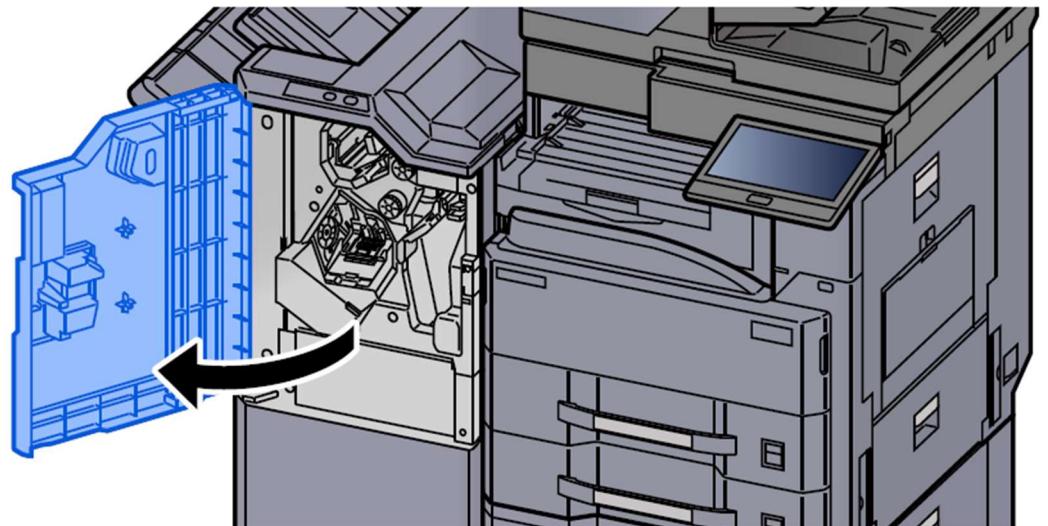
CAUTION

- Do not reuse jammed papers.
- If the paper tears during removal, be sure to remove any loose scraps of paper from inside the machine. Scraps of paper left in the machine could cause subsequent jamming.

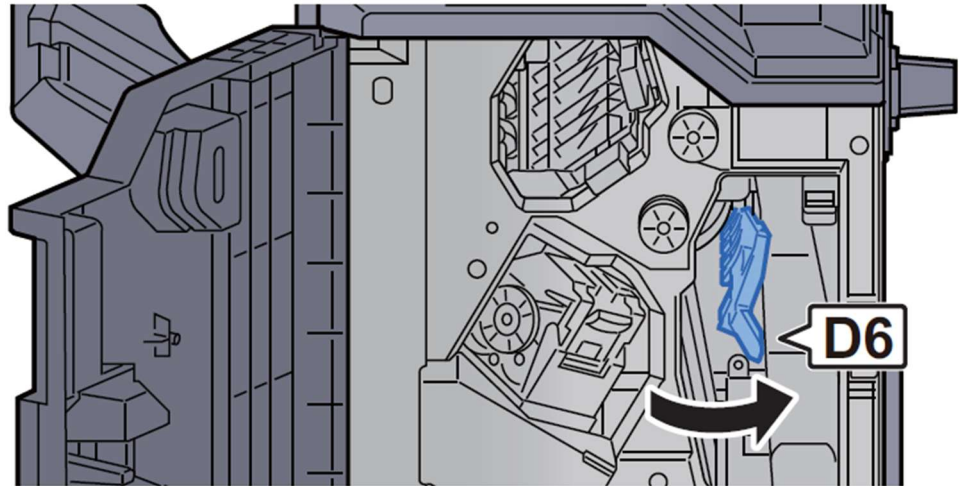
1 Remove any jammed paper.



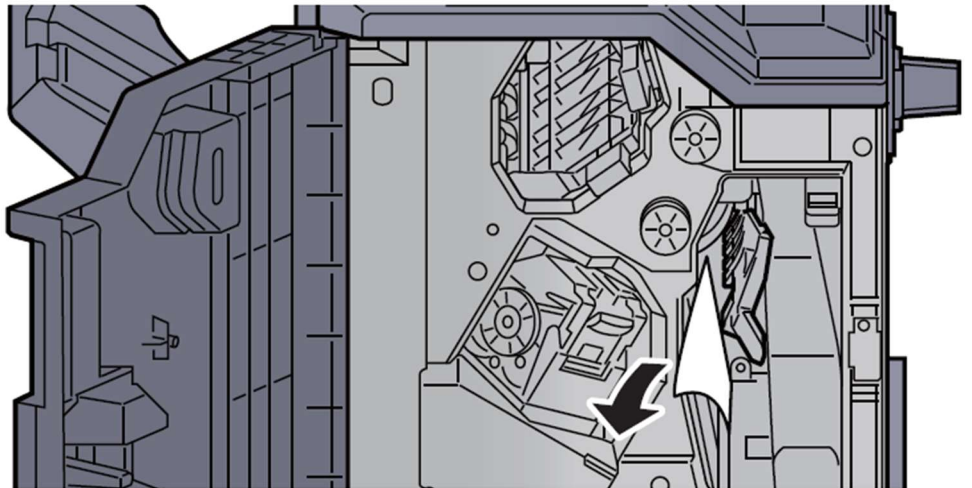
2 Open the finisher front cover 1.



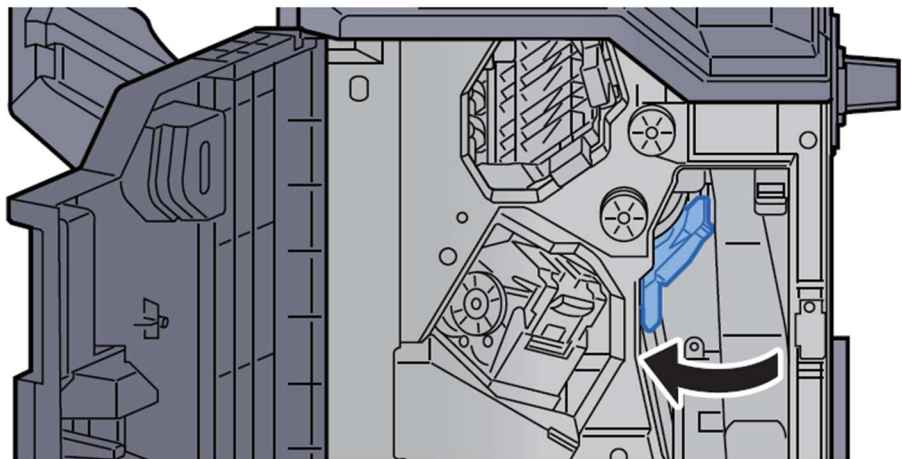
3 Open the conveyor guide (D6).



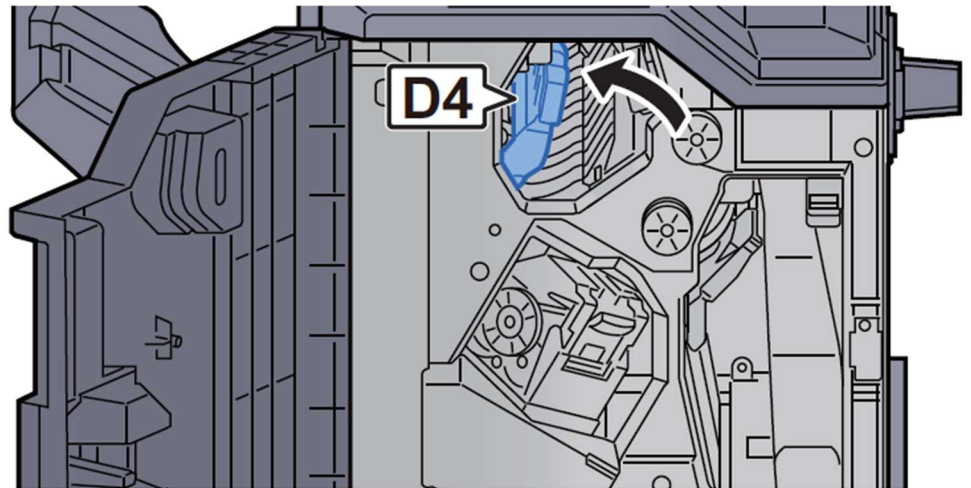
4 Remove any jammed paper.



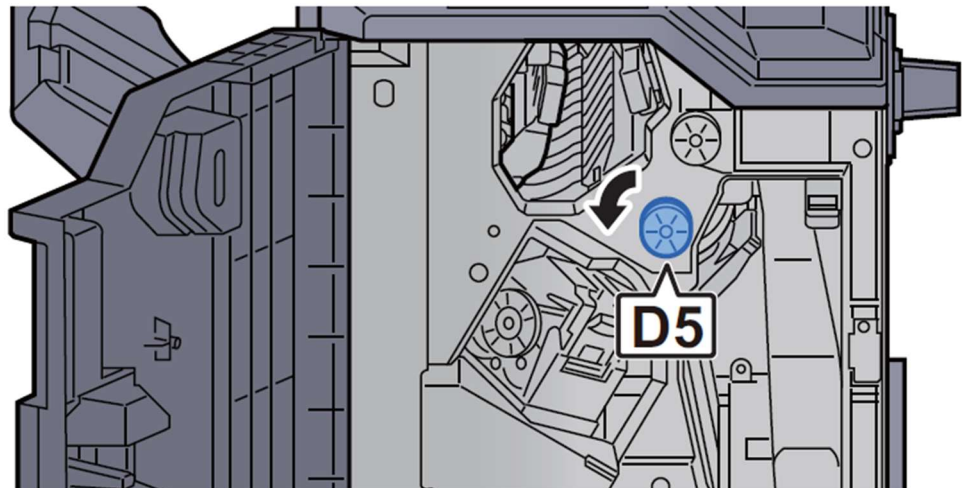
5 Return the conveyor guide (D6) to the original position.



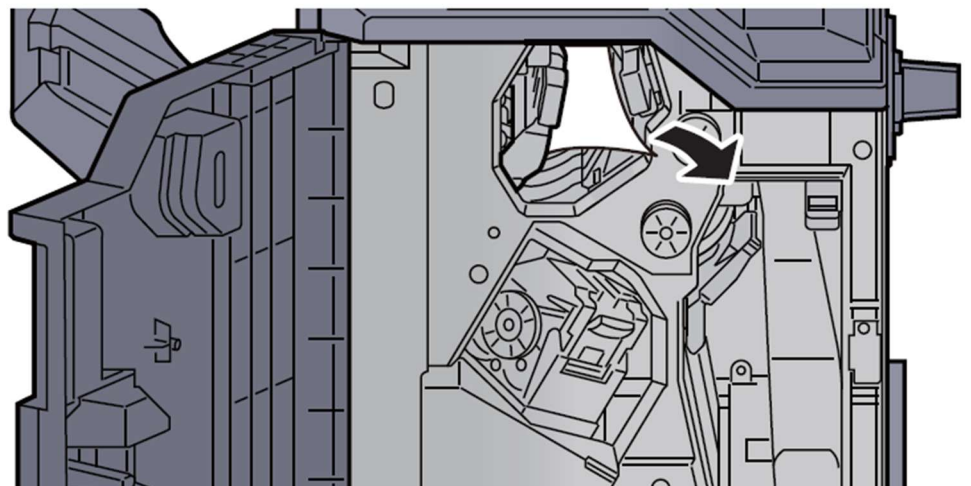
6 Open the conveyor guide (D4).



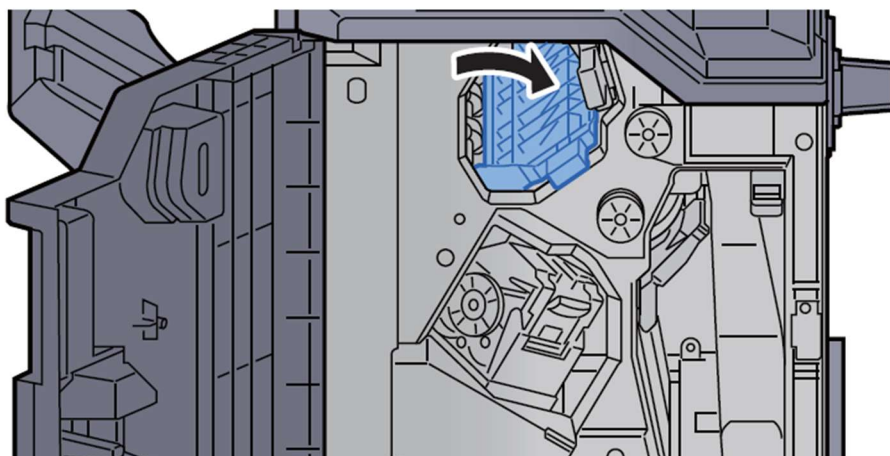
7 Turn knob (D5).



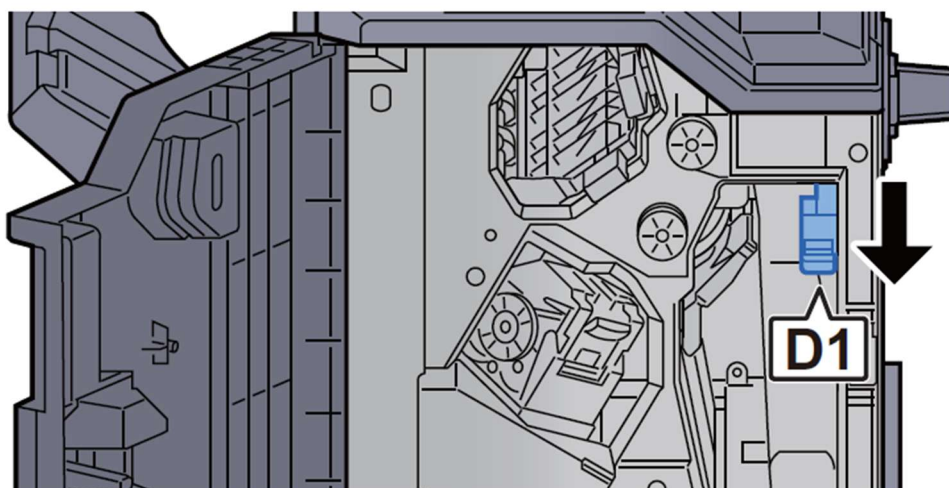
8 Remove any jammed paper.



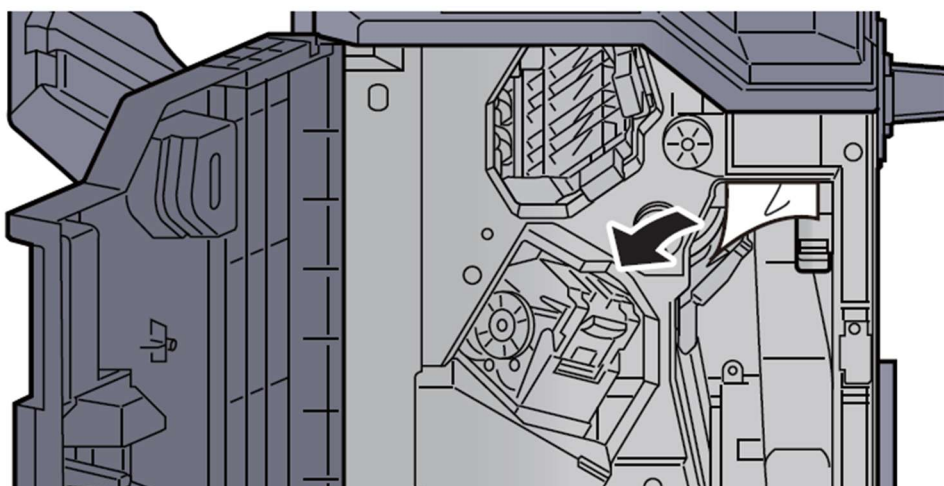
9 Return the conveyor guide (D4) to the original position.



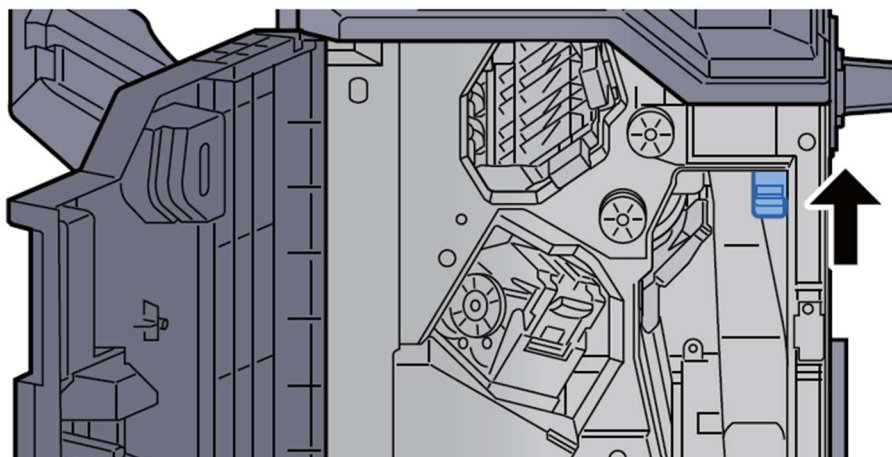
10 Open the conveyor guide (D1).



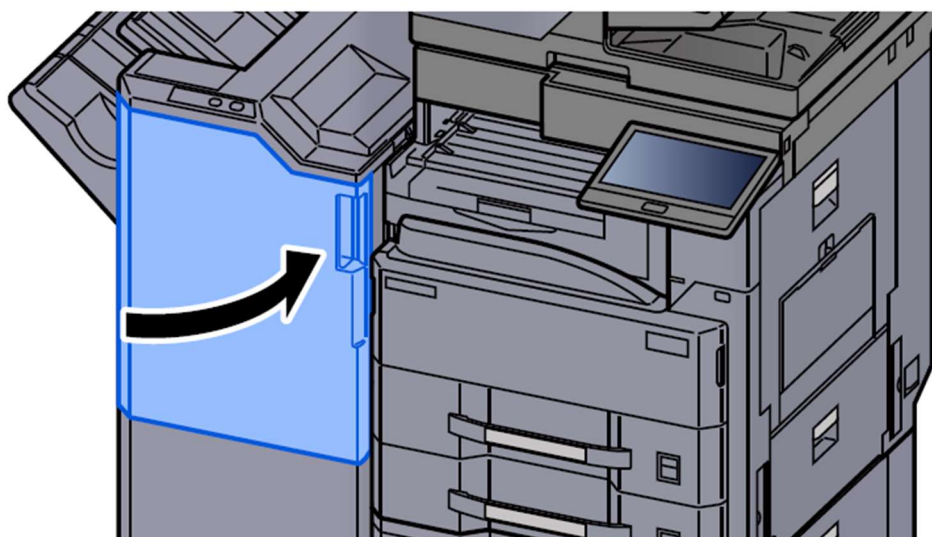
11 Remove any jammed paper.



12 Return the conveyor guide (D1) to the original position.



13 Return the cover to the original position.



KYOCERA Document Solutions UK
Eldon Court, 75-77 London Road,
Reading, RG1 5BS

Web: www.kyoceradocumentsolutions.co.uk