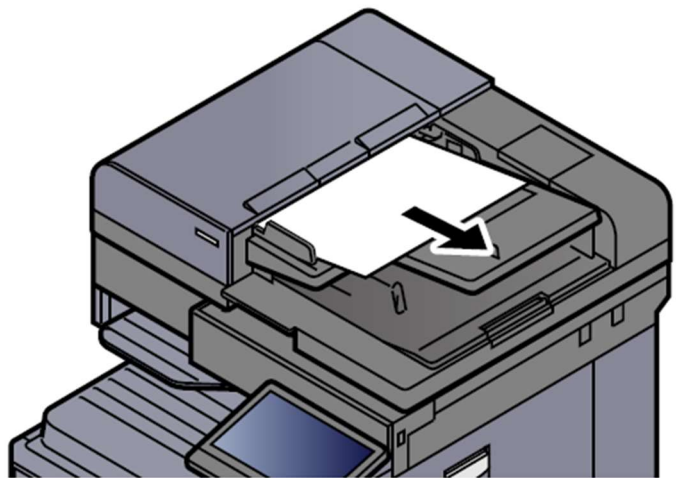


# Remove any jammed paper in the Document Processor (Reverse Automatic)

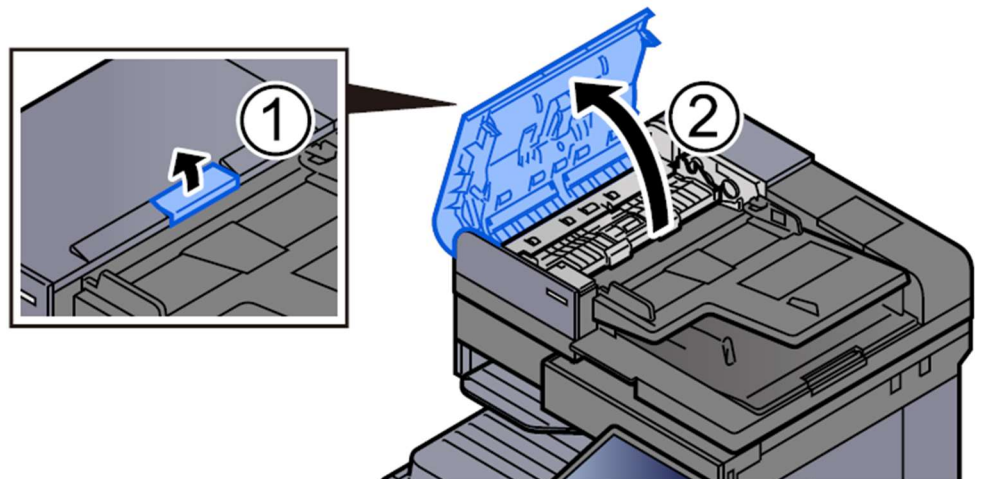
## CAUTION

- Do not reuse jammed papers.
- If the paper tears during removal, be sure to remove any loose scraps of paper from inside the machine. Scraps of paper left in the machine could cause subsequent jamming.

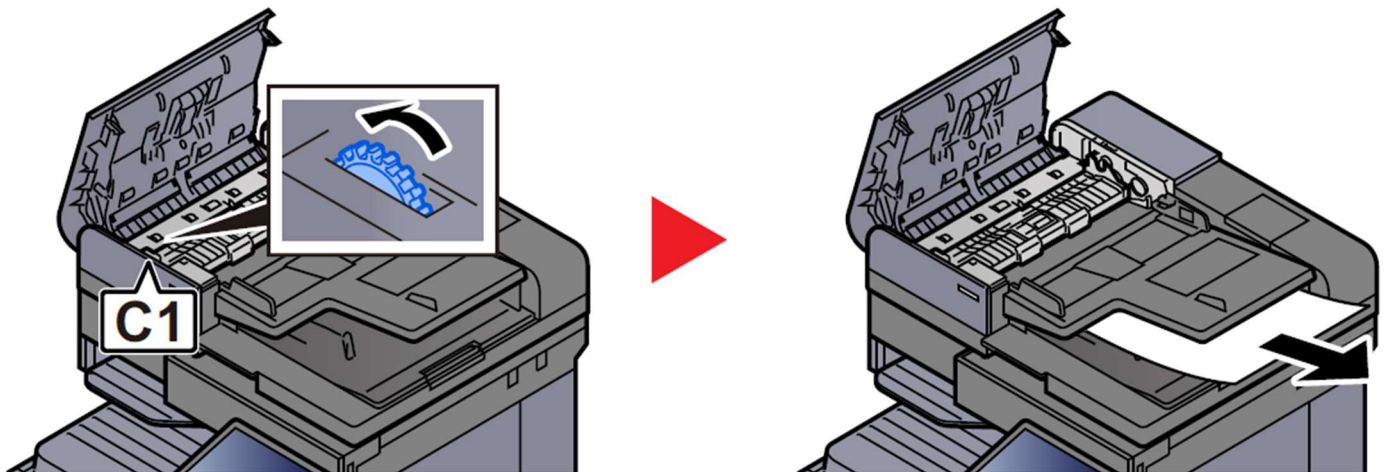
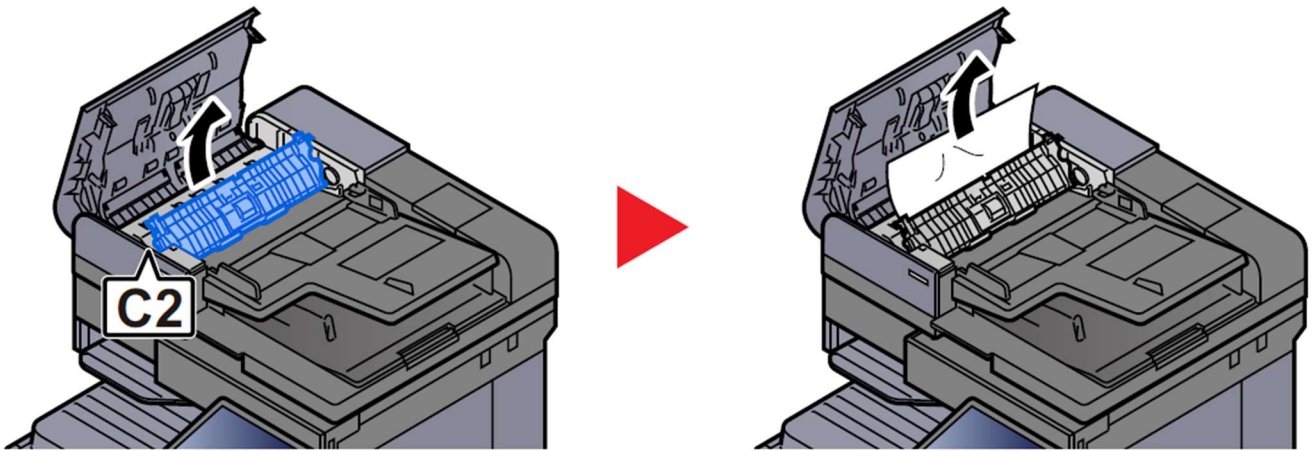
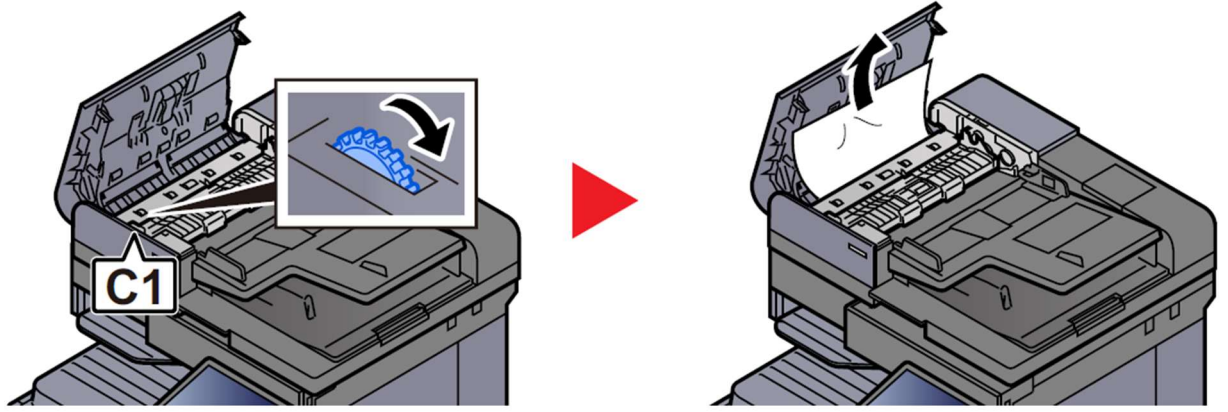
## 1 Remove the originals from the Original Table.



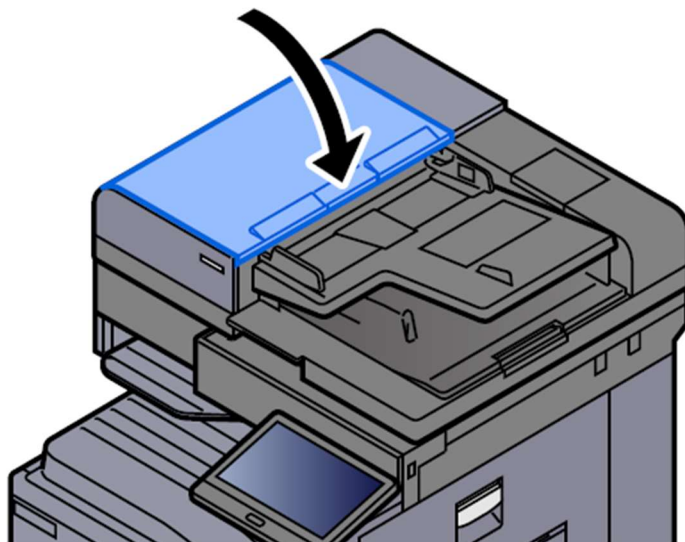
## 2 Open the document processor cover.



**3 Turn dial (C1) to remove any jammed paper.**



**6 Return the cover to the original position.**



**KYOCERA Document Solutions UK  
Eldon Court, 75-77 London Road,  
Reading, RG1 5BS**

**Web: [www.kyoceradocumentsolutions.co.uk](http://www.kyoceradocumentsolutions.co.uk)**