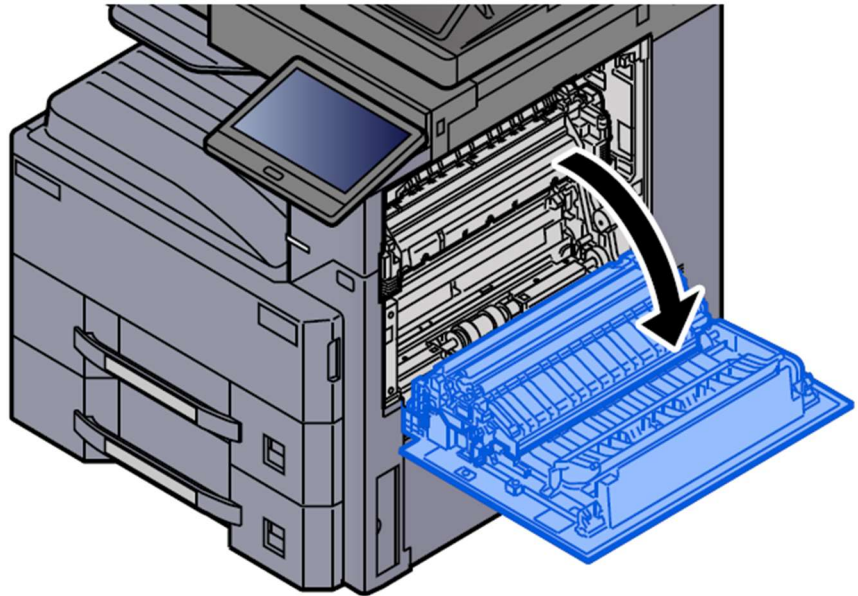


Remove any jammed paper in Cassette 1

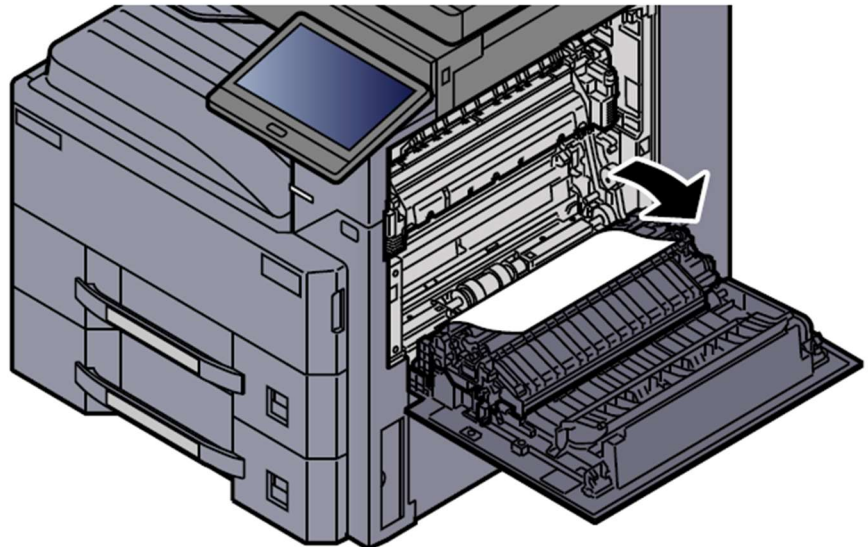
CAUTION

- Do not reuse jammed papers.
- If the paper tears during removal, be sure to remove any loose scraps of paper from inside the machine. Scraps of paper left in the machine could cause subsequent jamming.

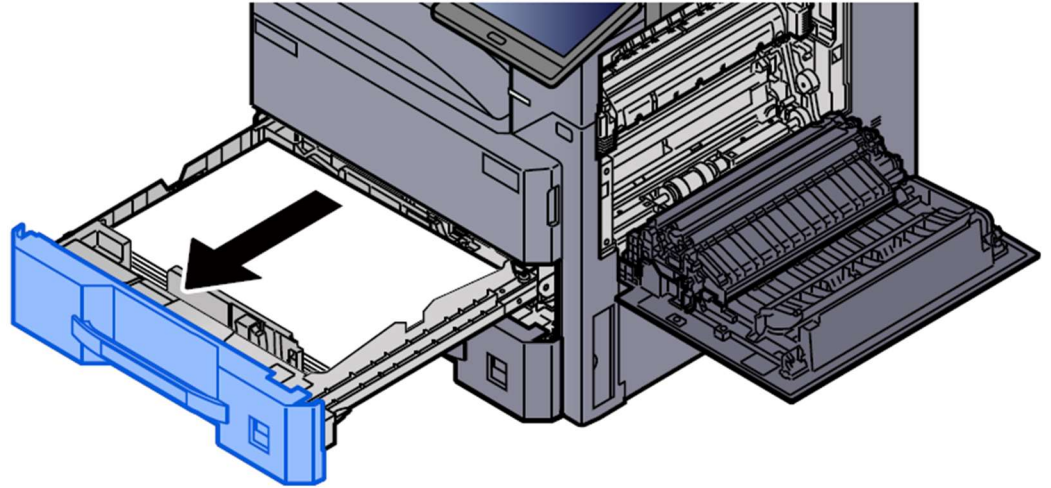
1 Open Right Cover 1.



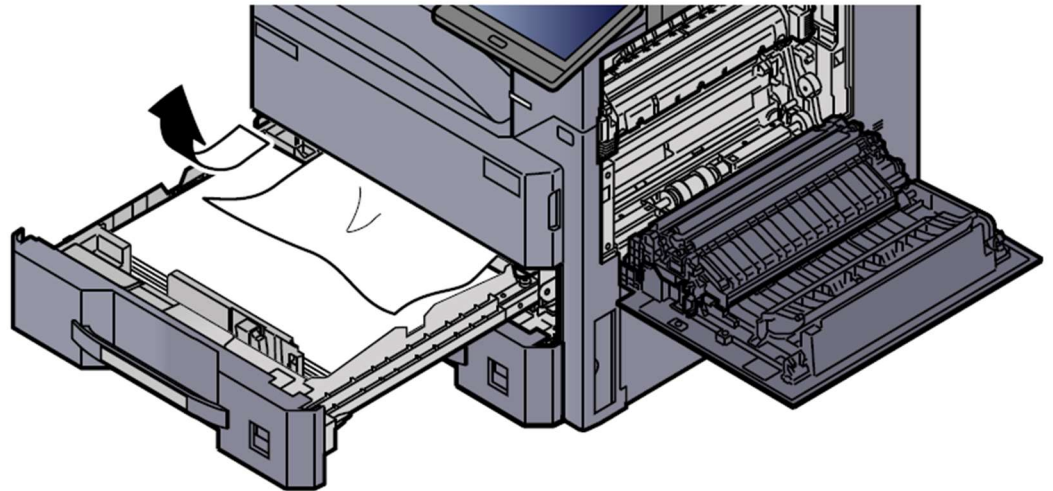
2 Remove any jammed paper.




3 Pull Cassette 1 out toward you until it stops.

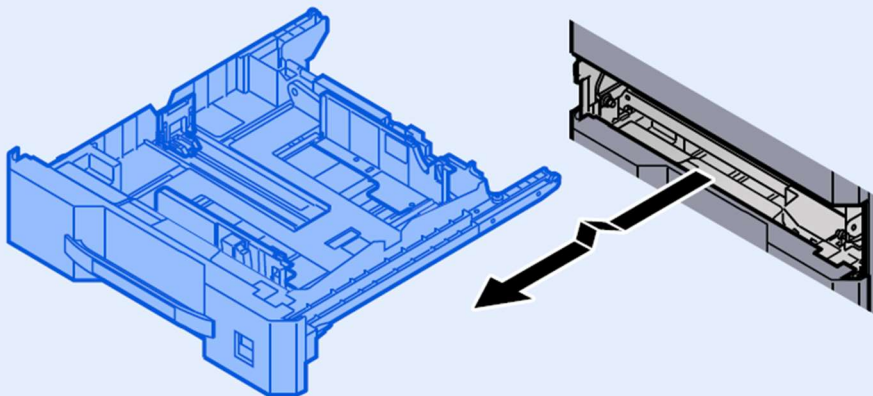


4 Remove any jammed paper.

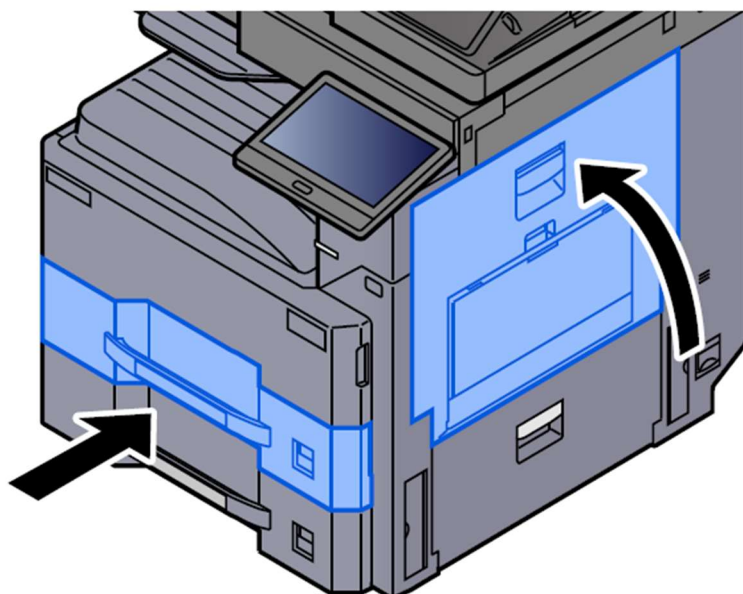


 **NOTE**

The cassette can be removed.



5 Push Right Cover 1 and Cassette 1 back in.



**KYOCERA Document Solutions UK
Eldon Court, 75-77 London Road,
Reading, RG1 5BS**

Web: www.kyoceradocumentsolutions.co.uk