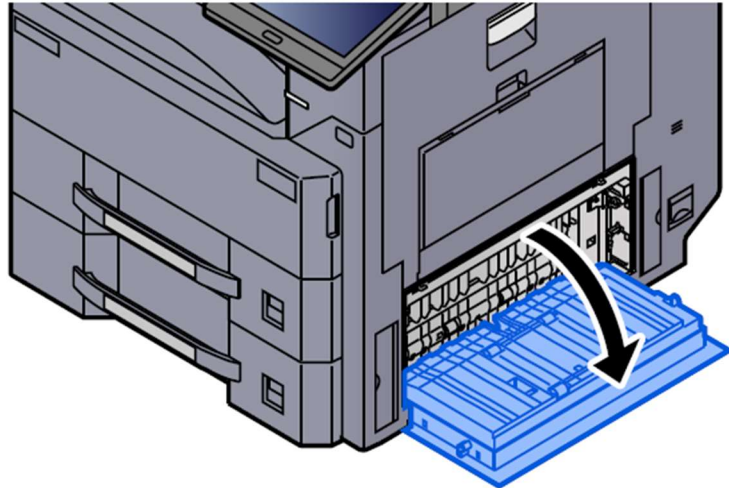


# Remove any jammed paper in Cassette 2

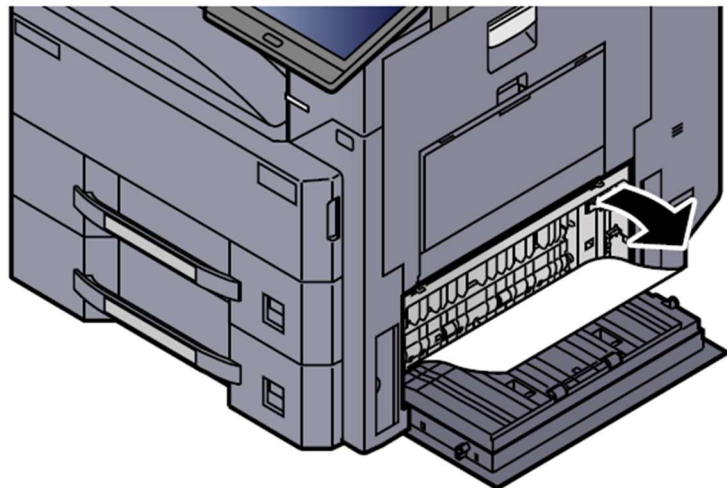
## CAUTION

- Do not reuse jammed papers.
- If the paper tears during removal, be sure to remove any loose scraps of paper from inside the machine. Scraps of paper left in the machine could cause subsequent jamming.

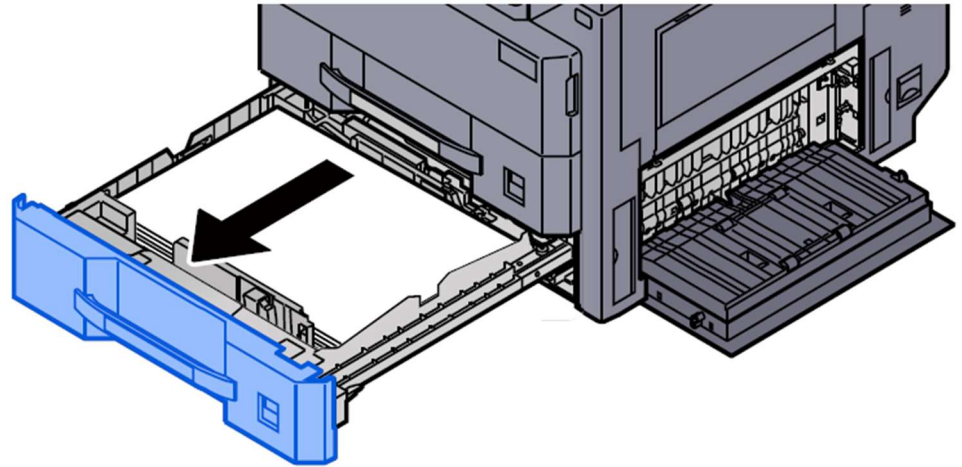
## 1 Open Right Cover 2.



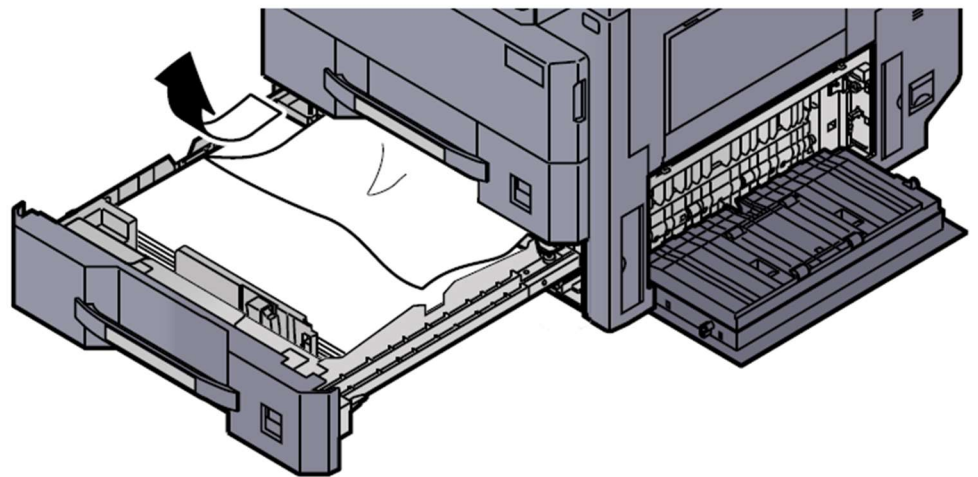
## 2 Remove any jammed paper.



### 3 Pull Cassette 2 out toward you until it stops.

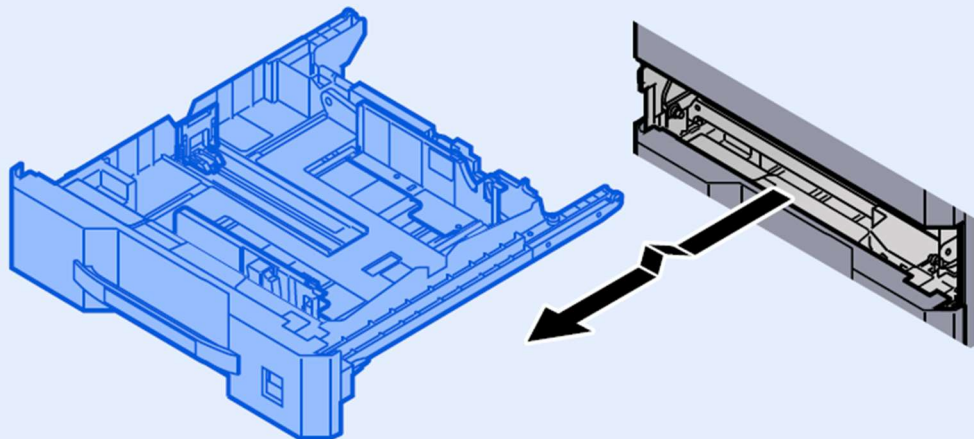


### 4 Remove any jammed paper.

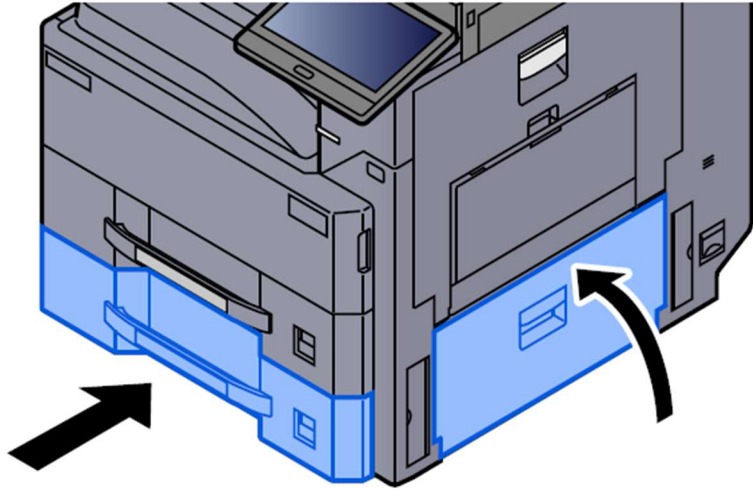


#### NOTE

The cassette can be removed.



**5 Push Right Cover 2 and Cassette 2 back in.**



**KYOCERA Document Solutions UK  
Eldon Court, 75-77 London Road,  
Reading, RG1 5BS**

**Web: [www.kyoceradocumentsolutions.co.uk](http://www.kyoceradocumentsolutions.co.uk)**