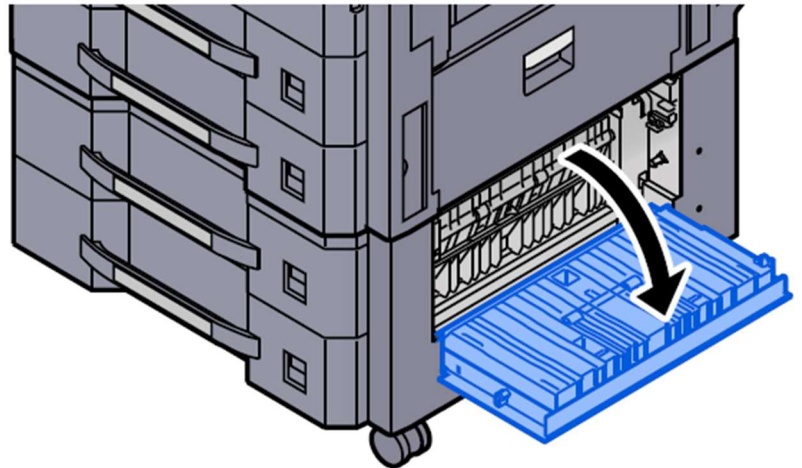


Remove any jammed paper in Cassette 4 (500-sheet×2)

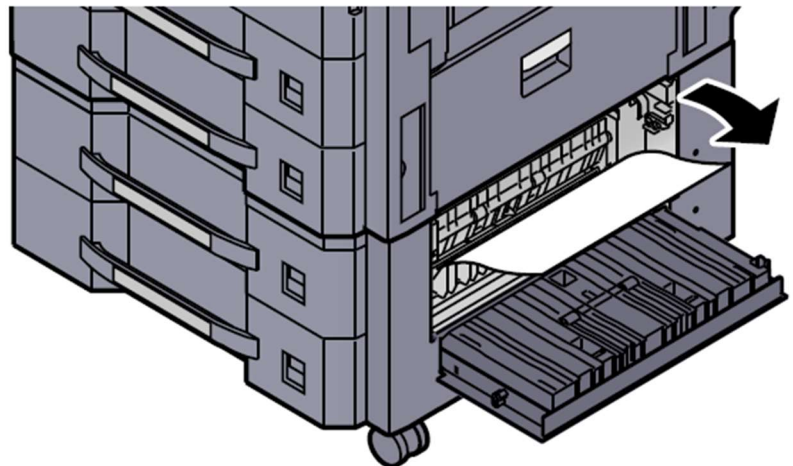
CAUTION

- Do not reuse jammed papers.
- If the paper tears during removal, be sure to remove any loose scraps of paper from inside the machine. Scraps of paper left in the machine could cause subsequent jamming.

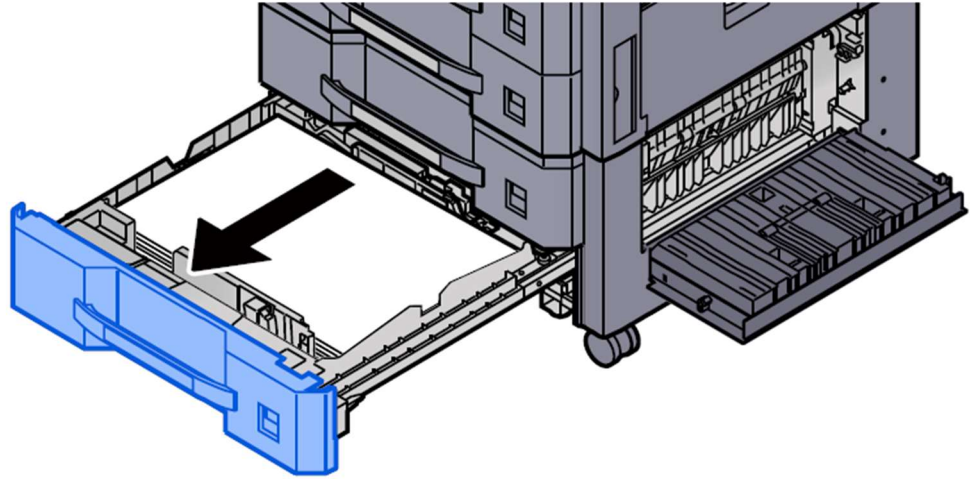
1 Open Right Cover 3.



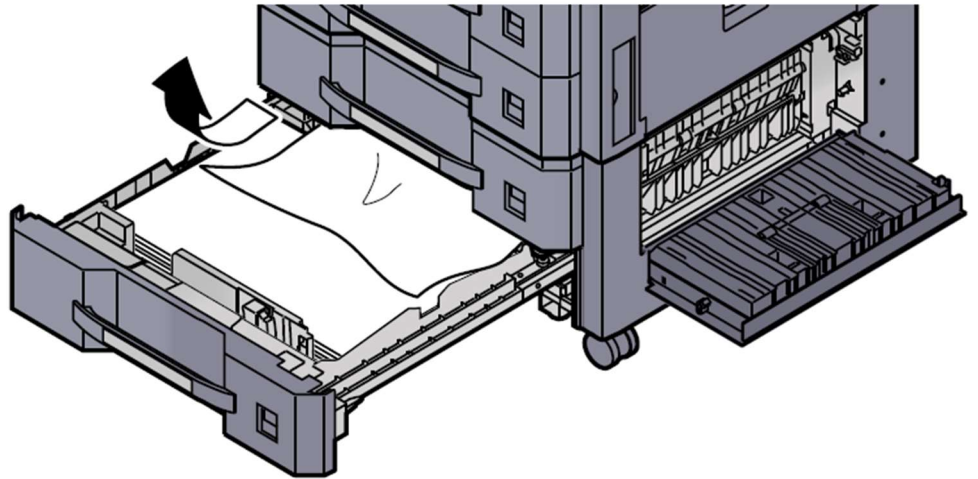
2 Remove any jammed paper.



3 Pull Cassette 4 out toward you until it stops.

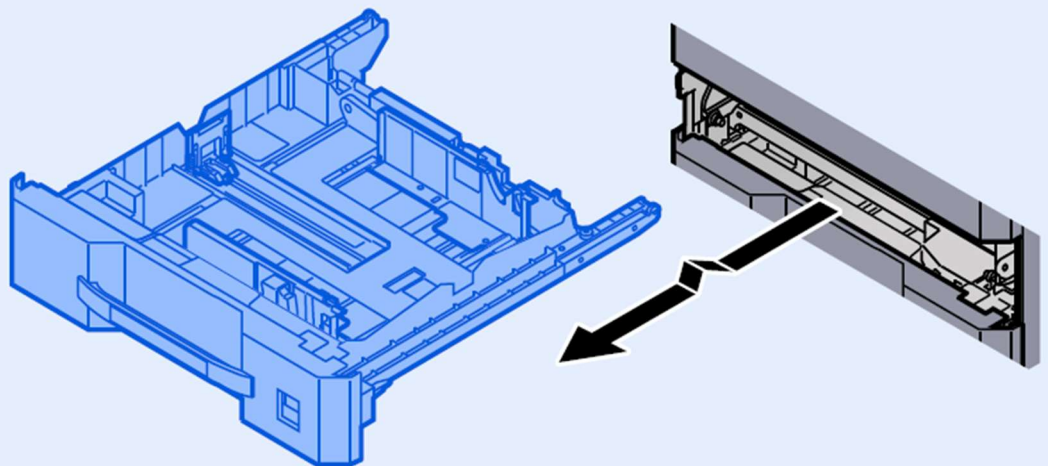


4 Remove any jammed paper.



NOTE

The cassette can be removed.



5 Push Right Cover 3 and Cassette 4 back in.

