

Ecosys MA3500cifx MA4000cifx

Clearing Jammed Paper Cassettes 1 to 4

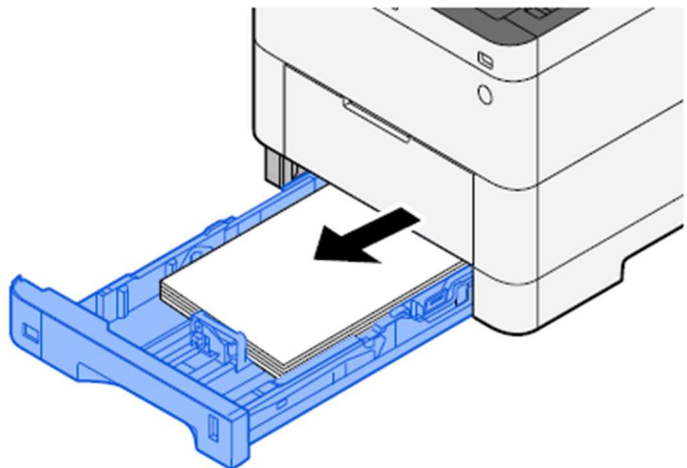


The procedure for handling paper jams in cassette 1 to cassette 4 is the same. Cassette 1 is used as an example here.

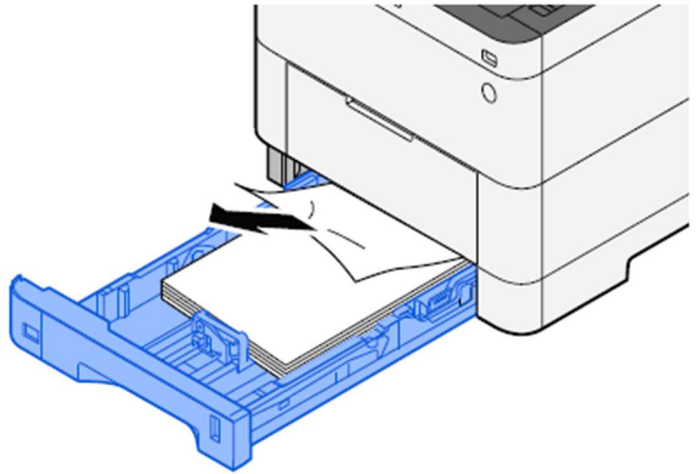
CAUTION

- Do not reuse jammed papers.
- If the paper tears during removal, be sure to remove any loose scraps of paper from inside the machine. Scraps of paper left in the machine could cause subsequent jamming.

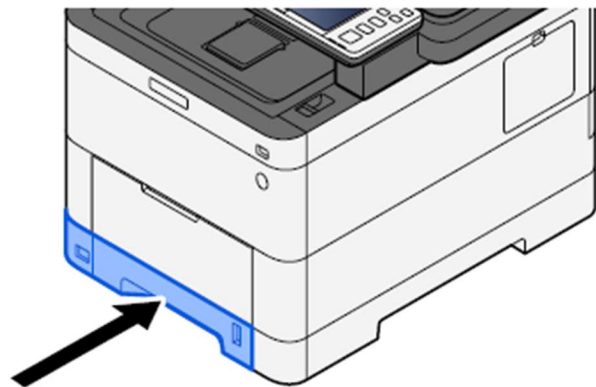
Pull Cassette 1 out toward you until it stops.



Remove any jammed paper.



Push Cassette 1 back in.



**KYOCERA Document Solutions UK
Eldon Court, 75-77 London Road,
Reading, RG1 5BS**

Web: www.kyoceradocumentsolutions.co.uk