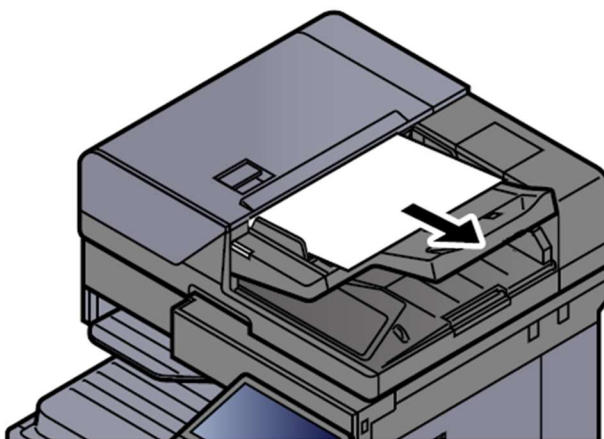


Remove any jammed paper in the Document Processor (Dual Scan)

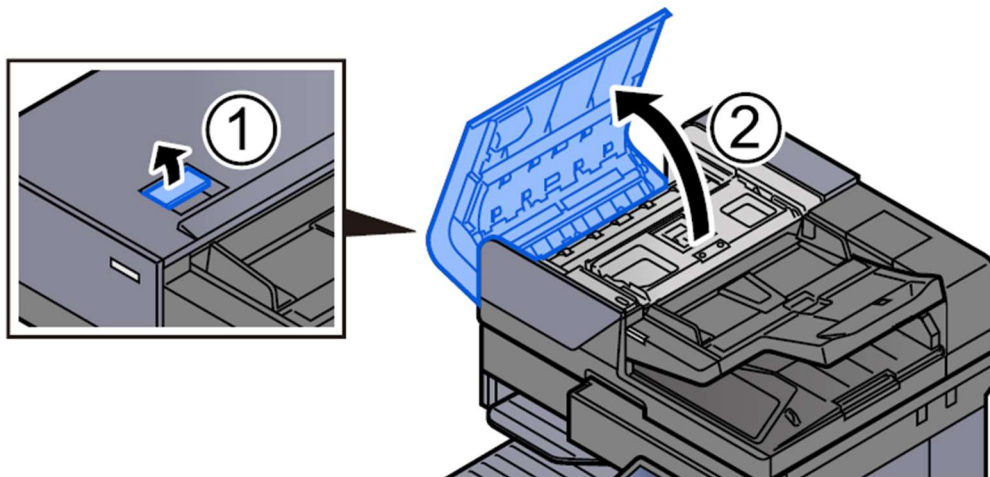
CAUTION

- Do not reuse jammed papers.
- If the paper tears during removal, be sure to remove any loose scraps of paper from inside the machine. Scraps of paper left in the machine could cause subsequent jamming.

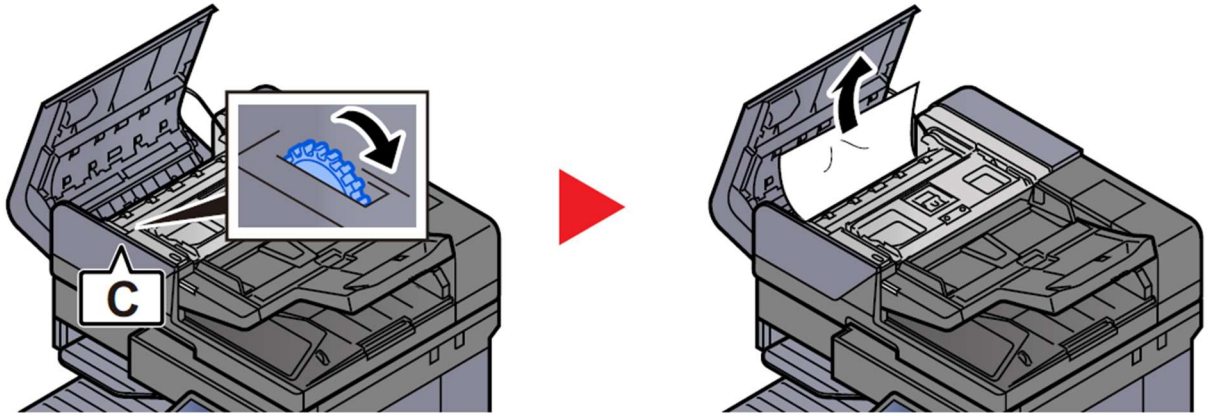
1 Remove the originals from the Original Table.



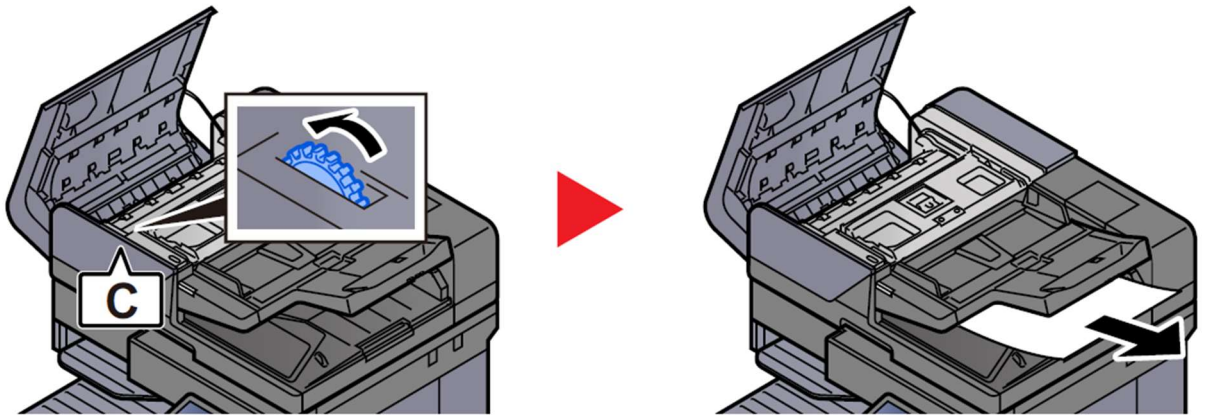
2 Open the document processor cover.



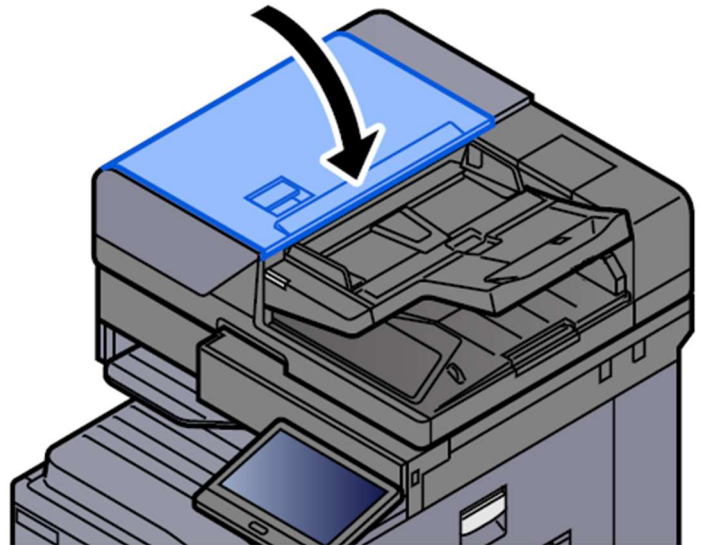
3 Turn dial (C) to remove any jammed paper.



4 Turn dial (C) to remove any jammed paper.



5 Return the cover to the original position.



**KYOCERA Document Solutions UK
Eldon Court, 75-77 London Road,
Reading, RG1 5BS**

Web: www.kyoceradocumentsolutions.co.uk