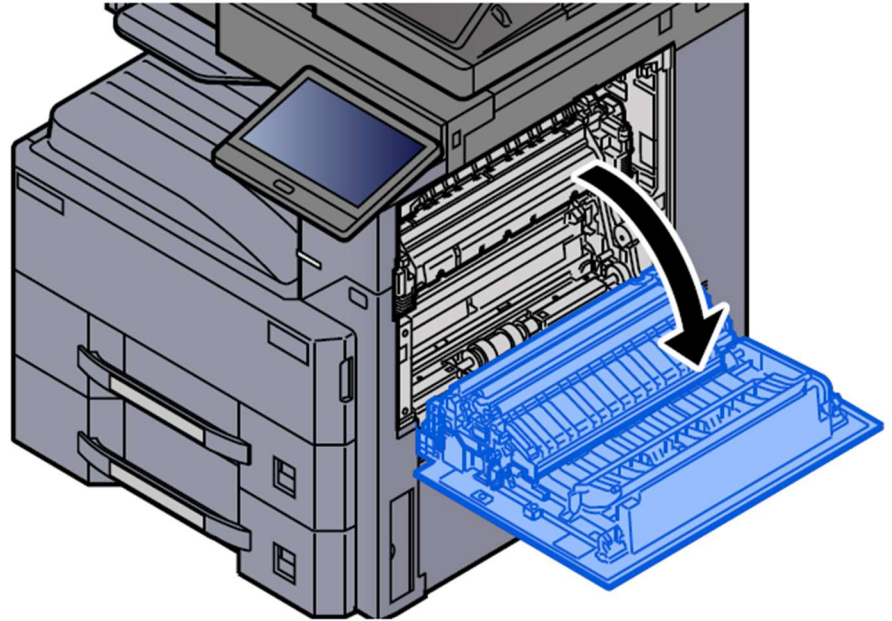


Remove any jammed paper in Duplex Unit

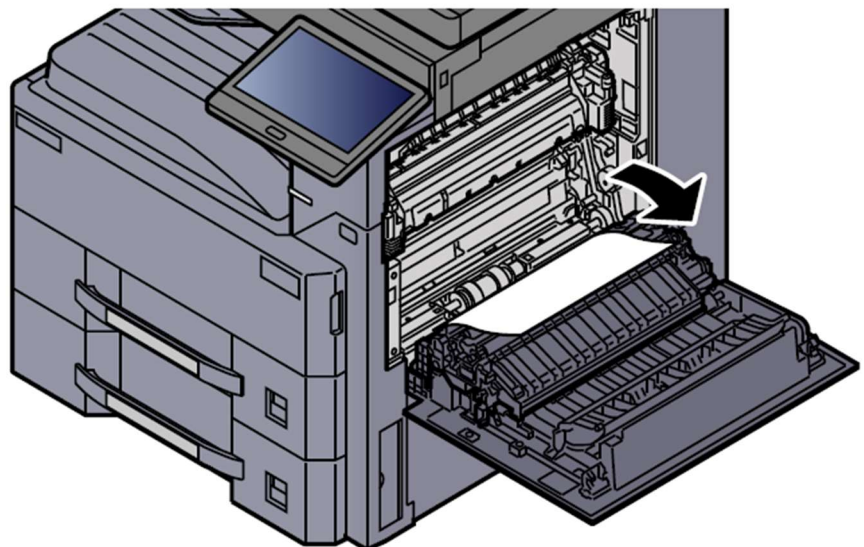
CAUTION

- Do not reuse jammed papers.
- If the paper tears during removal, be sure to remove any loose scraps of paper from inside the machine. Scraps of paper left in the machine could cause subsequent jamming.

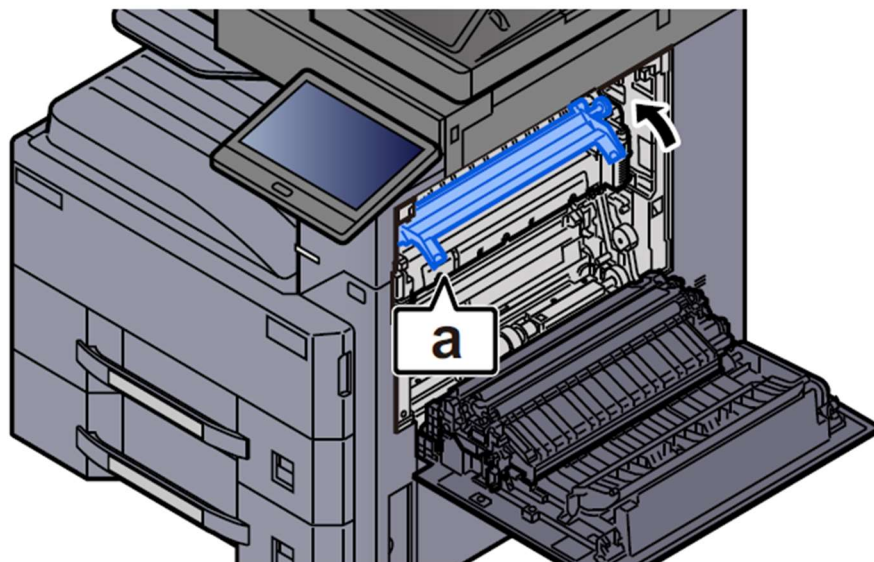
1 Open Right Cover 1.



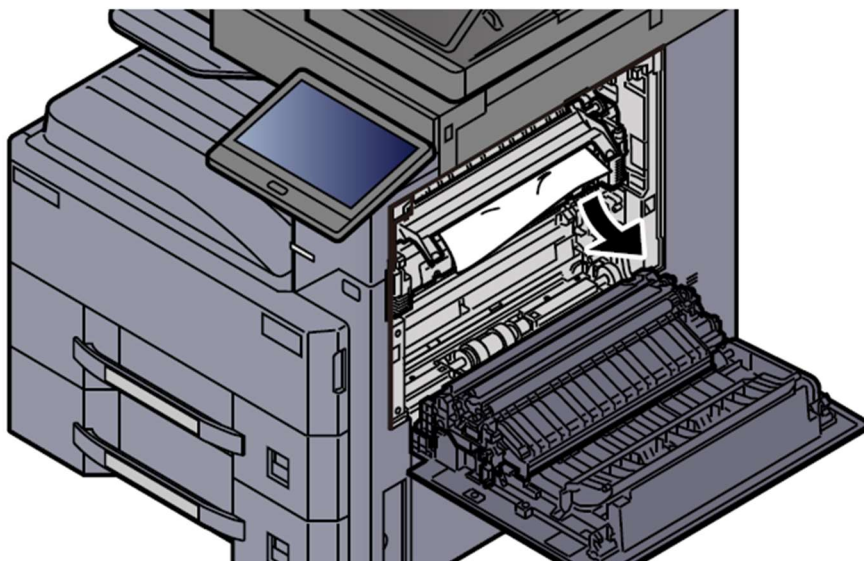
2 Remove any jammed paper.



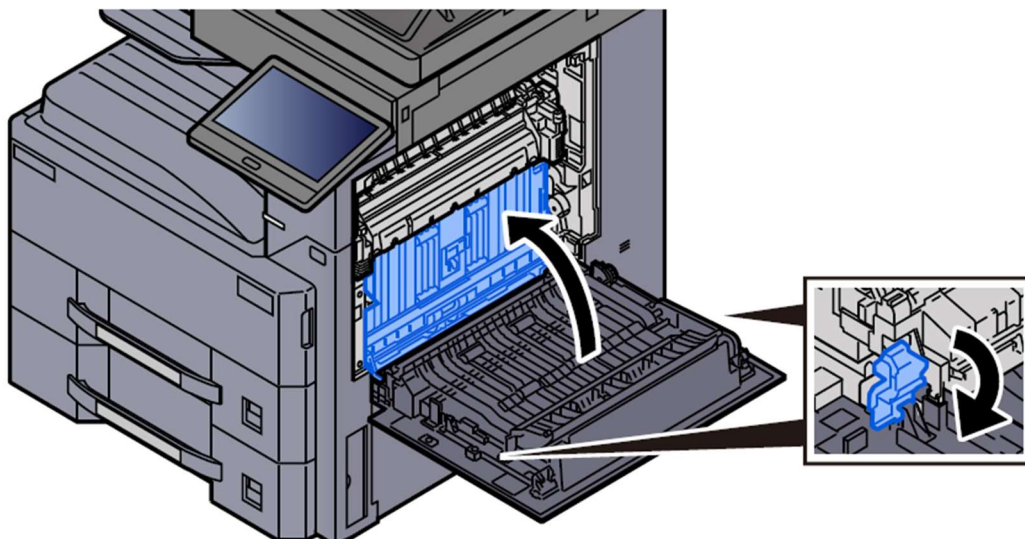
3 Open the fuser cover (a).



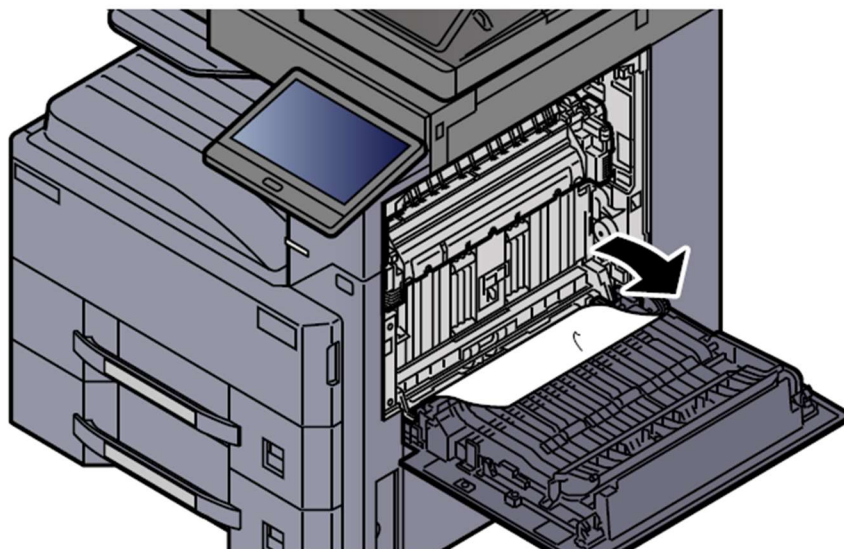
4 Remove any jammed paper.



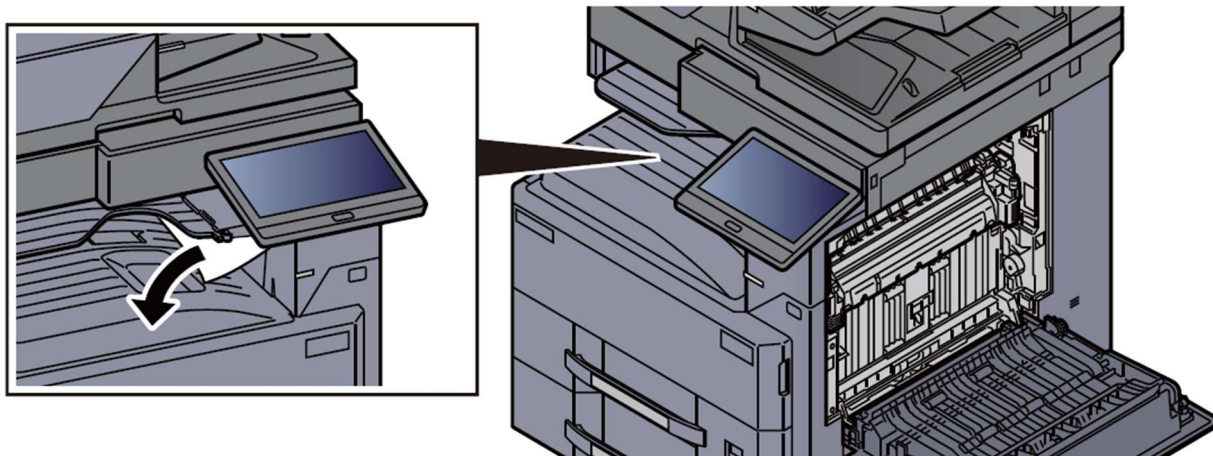
5 Lift the duplex unit.



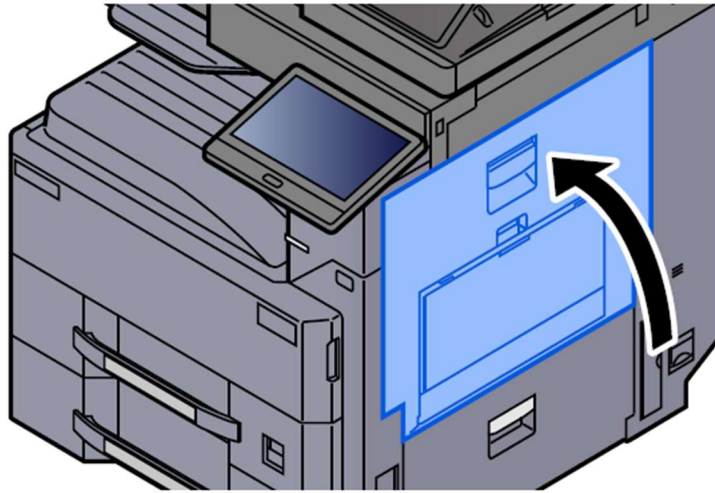
6 Remove any jammed paper.



7 Remove any paper from the paper ejection.



8 Return the cover to the original position.



**KYOCERA Document Solutions UK
Eldon Court, 75-77 London Road,
Reading, RG1 5BS**

Web: www.kyoceradocumentsolutions.co.uk