

# Remove any jammed paper in Inner Tray / Fixing Unit

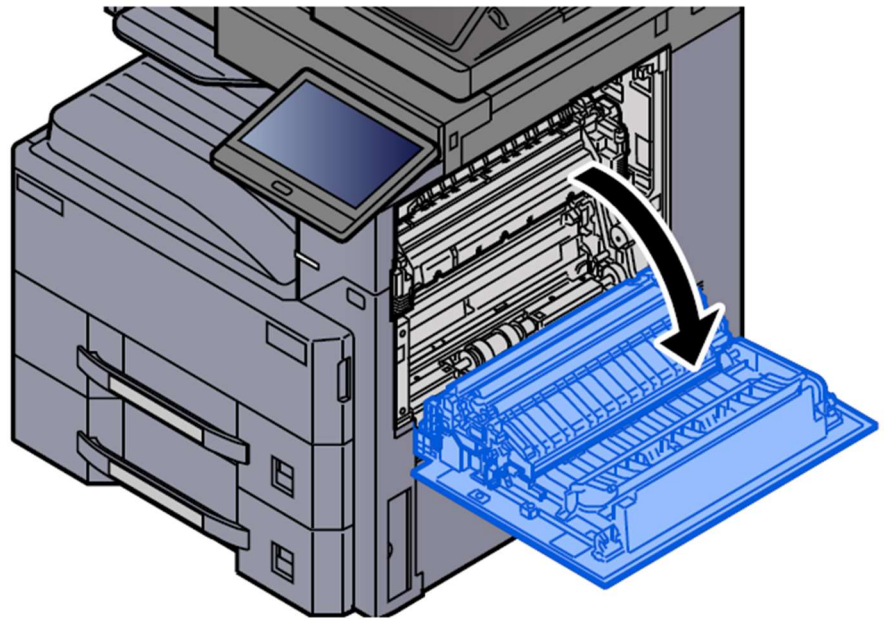
## CAUTION

- Do not reuse jammed papers.
- If the paper tears during removal, be sure to remove any loose scraps of paper from inside the machine. Scraps of paper left in the machine could cause subsequent jamming.

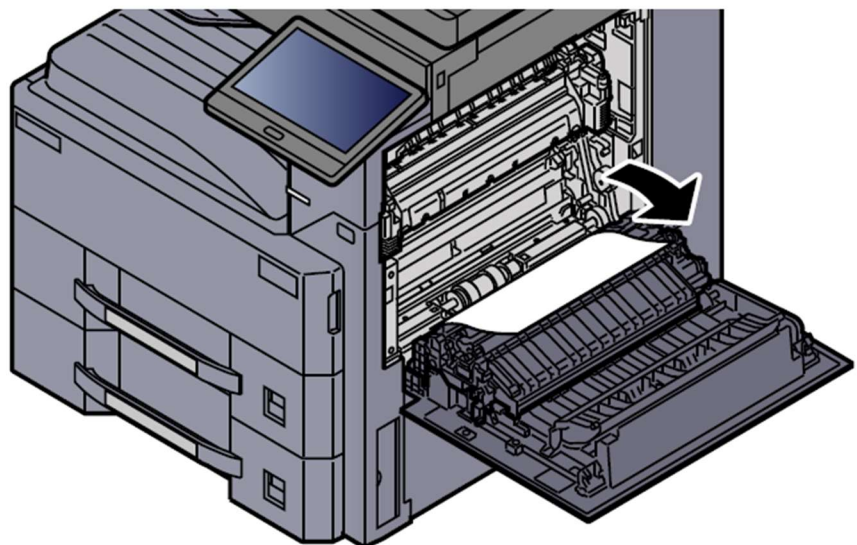
## CAUTION

The fixing unit is extremely hot. Take sufficient care when working in this area, as there is a danger of getting burned.

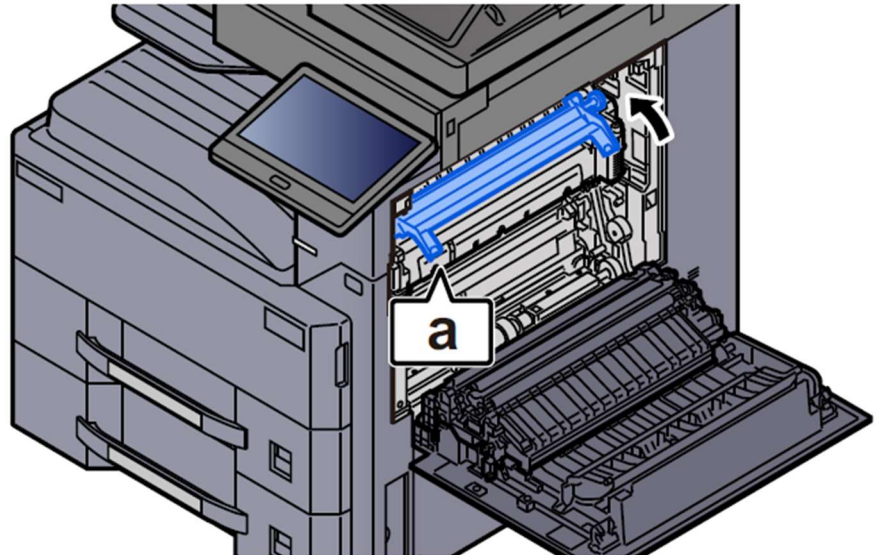
### **1** Open Right Cover 1.



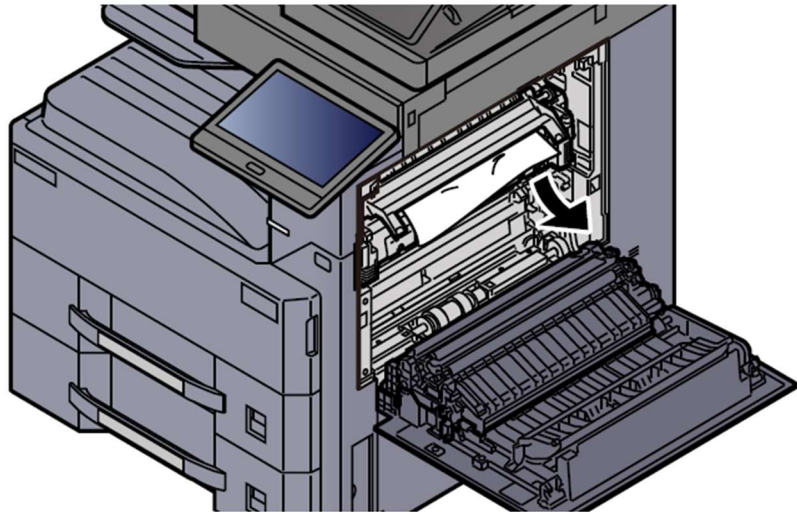
### **2** Remove any jammed paper.



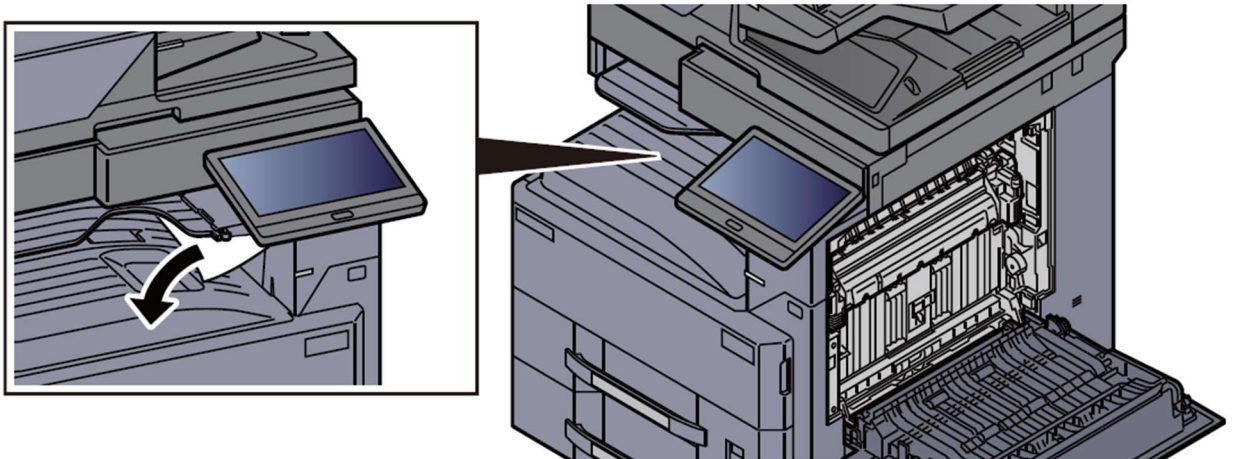
**3** Open the fuser cover (a).



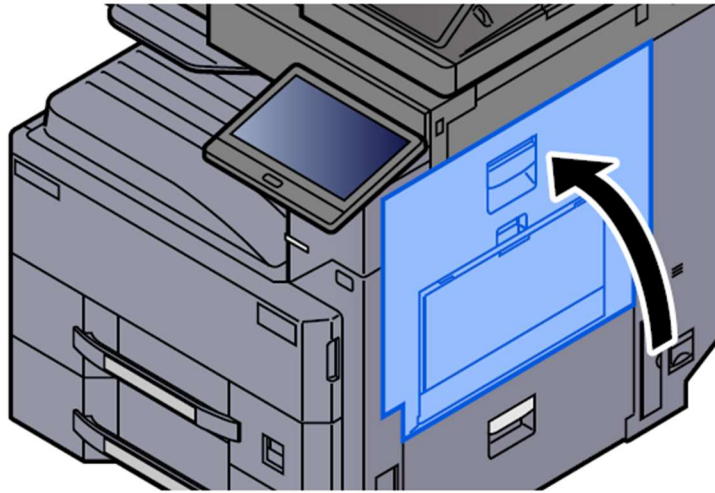
**4** Remove any jammed paper.



**5** Remove any paper from the paper ejection.



**6 Return the cover to the original position.**



**KYOCERA Document Solutions UK  
Eldon Court, 75-77 London Road,  
Reading, RG1 5BS**

**Web: [www.kyoceradocumentsolutions.co.uk](http://www.kyoceradocumentsolutions.co.uk)**