

Ecosys MA3500cifix MA4000cifix

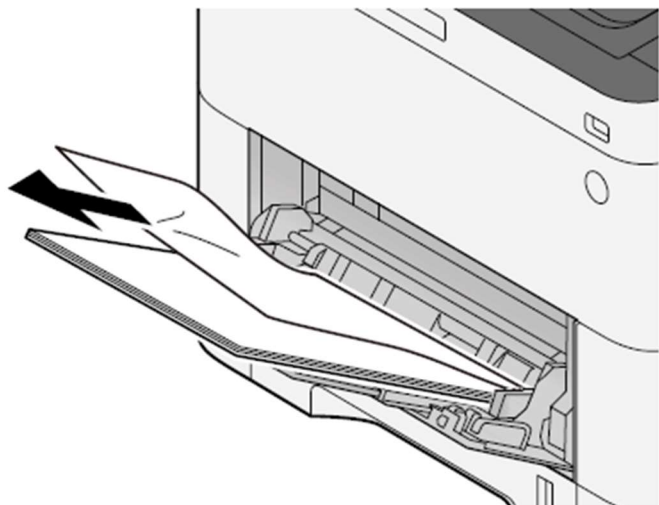
Clearing Jammed Paper Multipurpose Tray



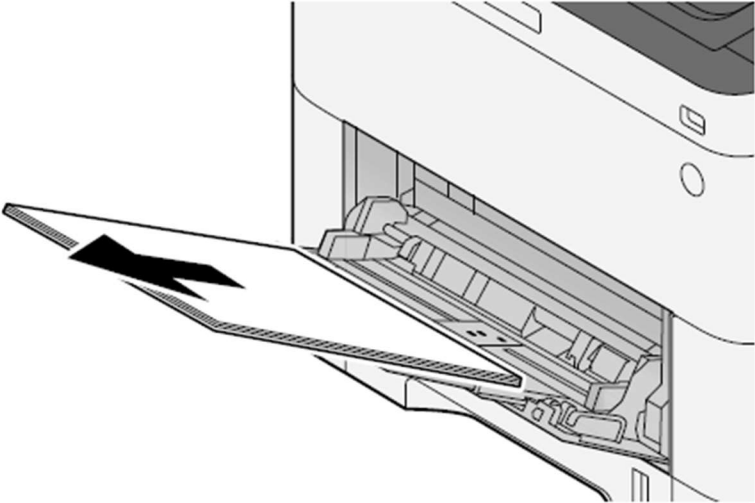
CAUTION

- Do not reuse jammed papers.
- If the paper tears during removal, be sure to remove any loose scraps of paper from inside the machine. Scraps of paper left in the machine could cause subsequent jamming.

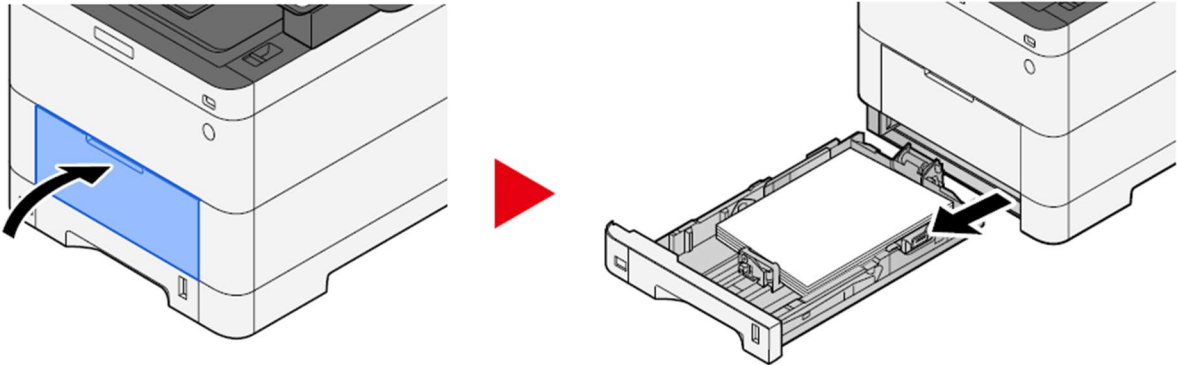
Remove any jammed paper.



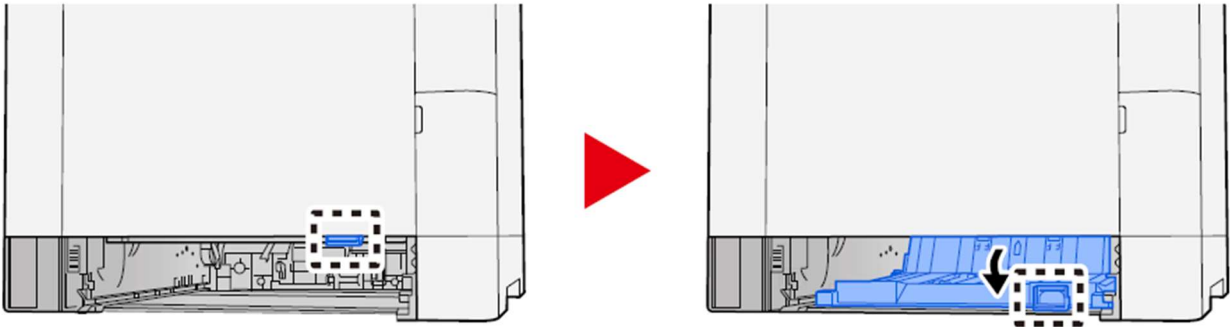
Remove all the paper.



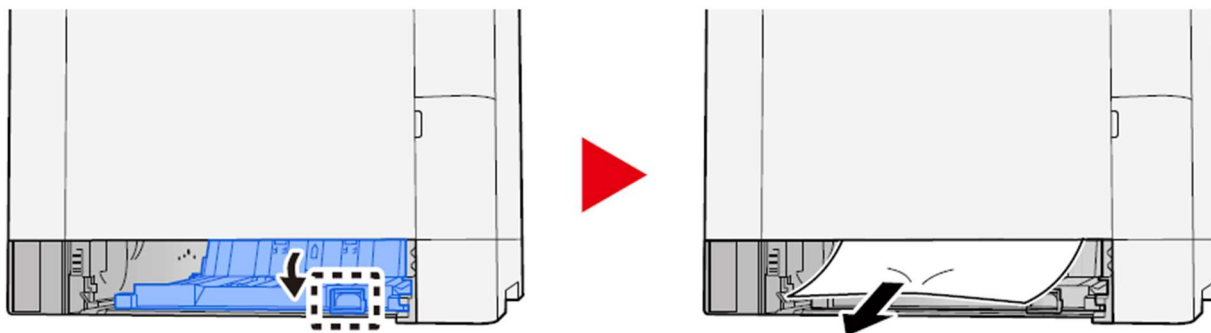
Close the multipurpose tray and pull out cassette 1.



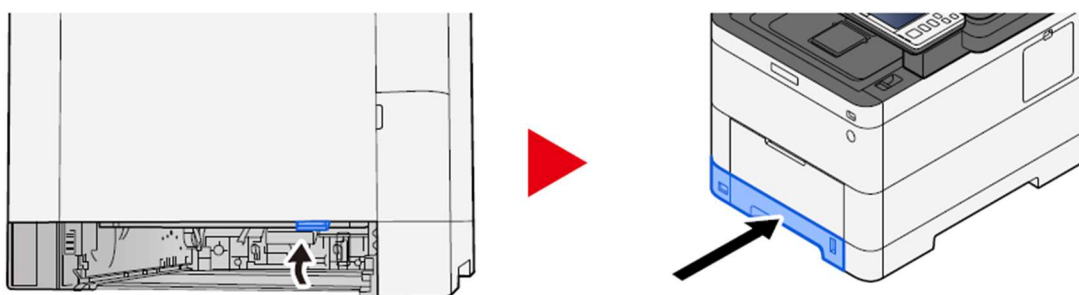
Open the feed cover.



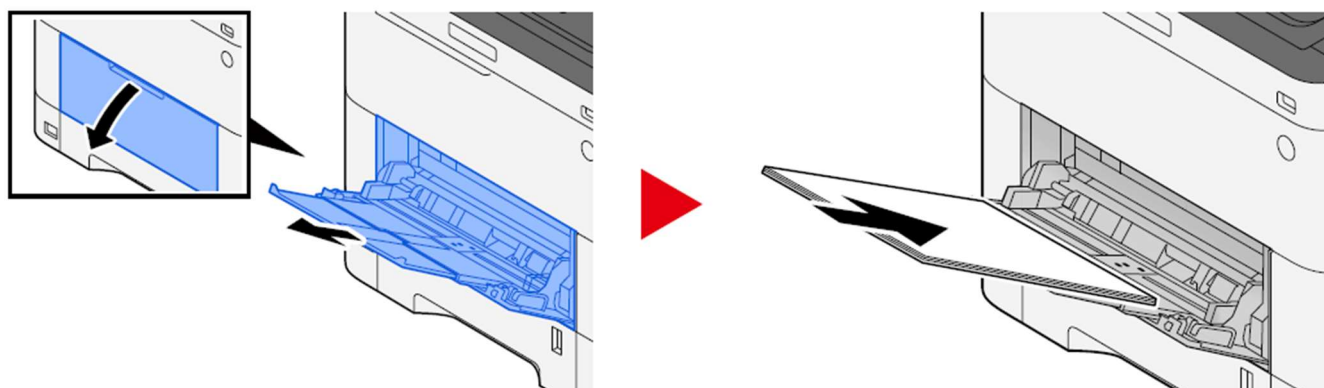
Remove any jammed paper.



Return the feed cover to its original position and return cassette 1 to its original position.



Open the multipurpose tray and reload the paper.



KYOCERA Document Solutions UK
Eldon Court, 75-77 London Road,
Reading, RG1 5BS

Web: www.kyoceradocumentsolutions.co.uk