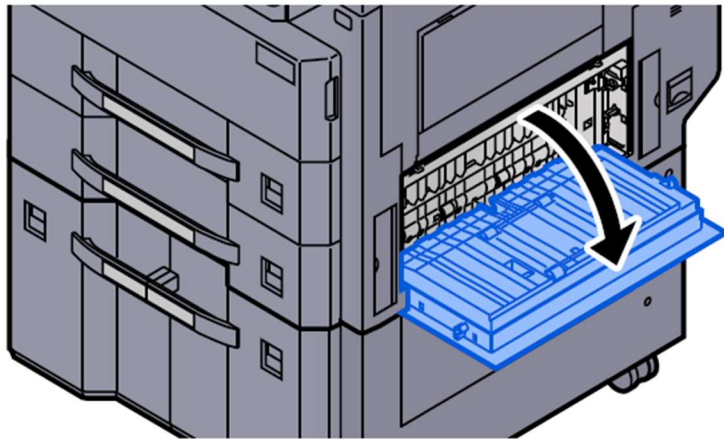


Remove any jammed paper in Cassette 4 (1,500-sheet×2)

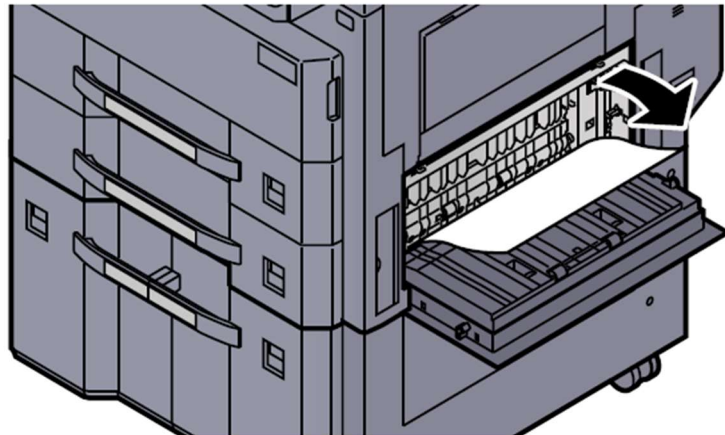
CAUTION

- Do not reuse jammed papers.
- If the paper tears during removal, be sure to remove any loose scraps of paper from inside the machine. Scraps of paper left in the machine could cause subsequent jamming.

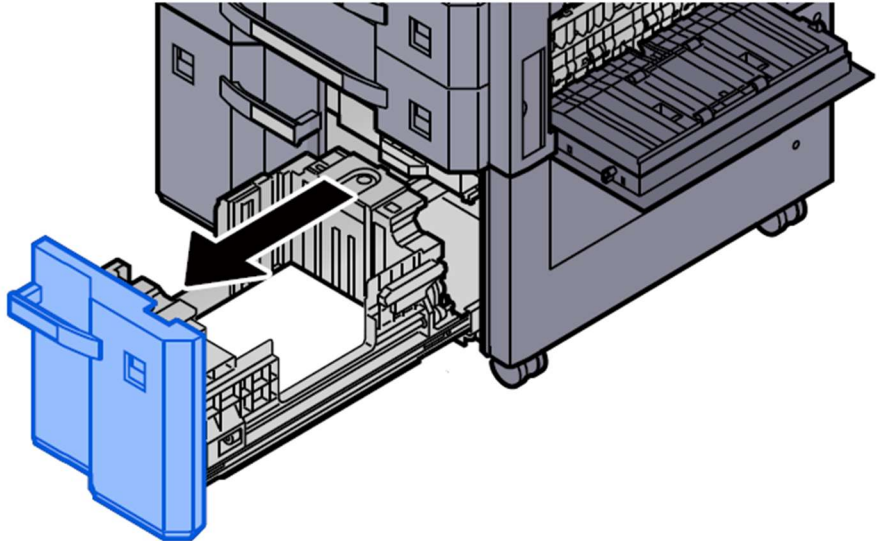
1 Open Right Cover 2.



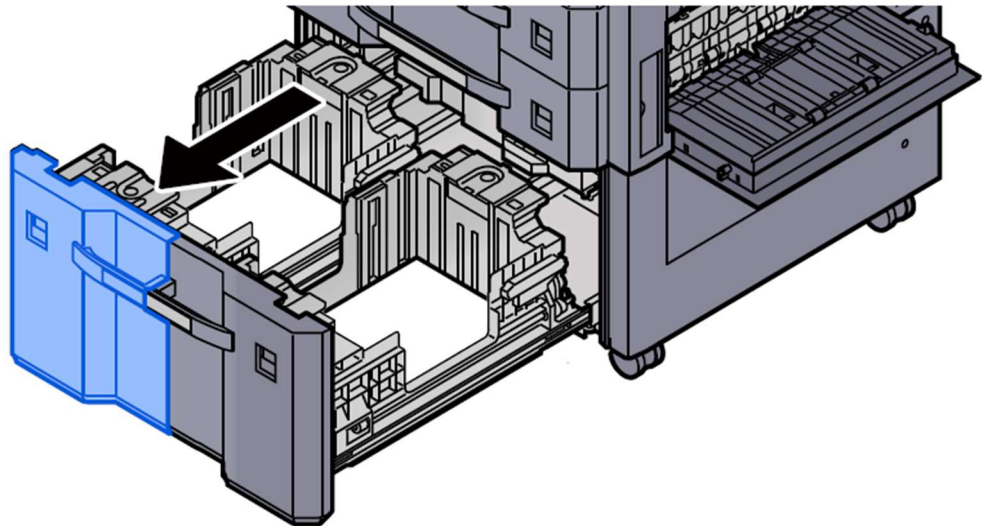
2 Remove any jammed paper.



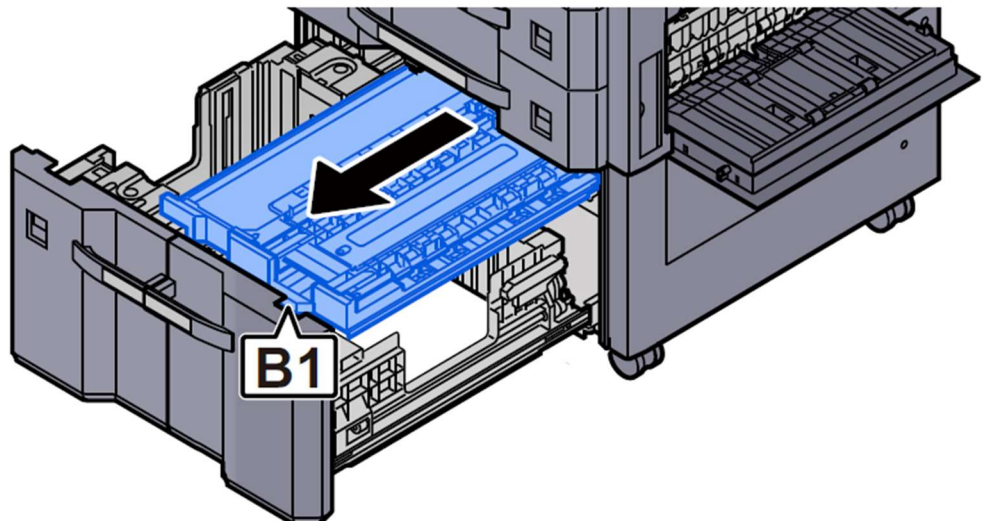
3 Pull Cassette 3 out toward you until it stops.



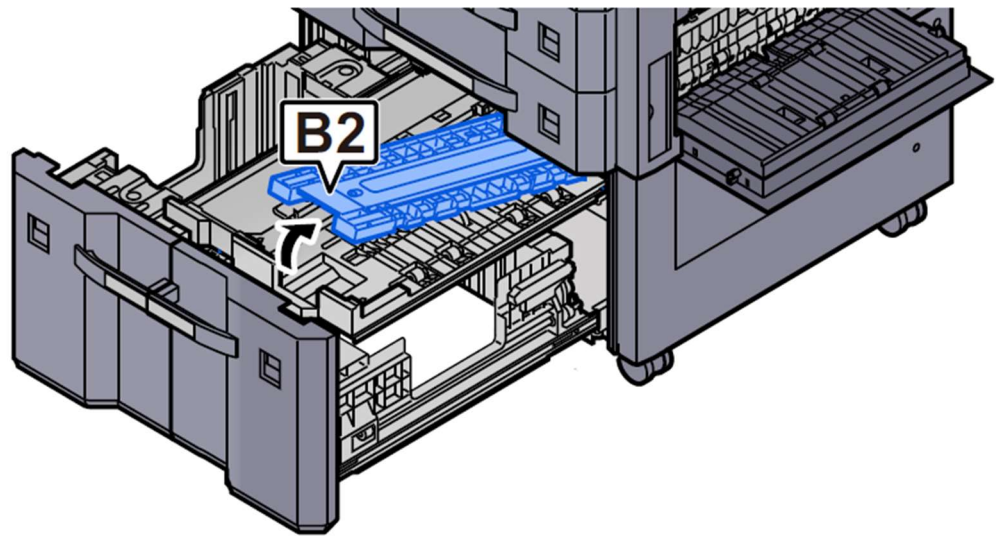
4 Pull Cassette 4 out toward you until it stops.



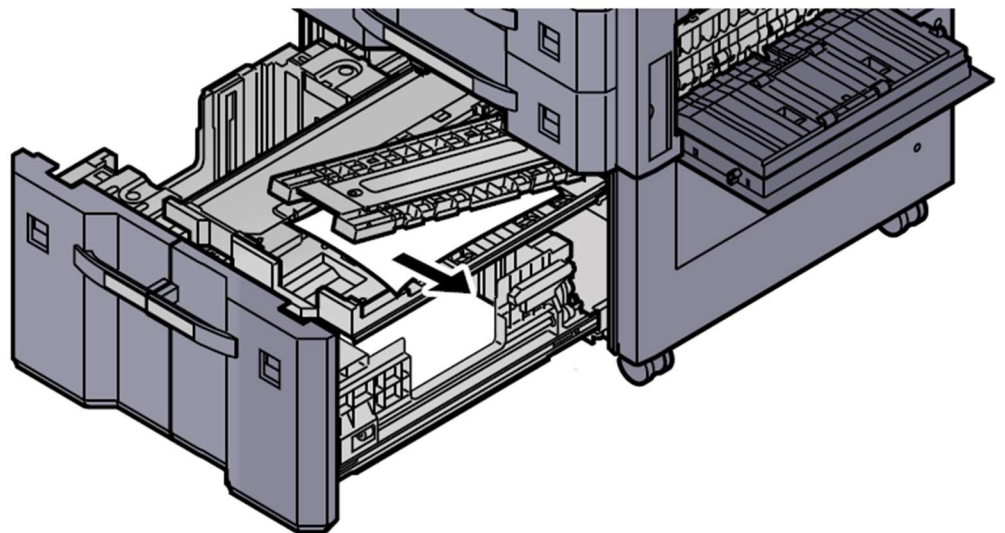
5 Pull out paper feed unit (B1).



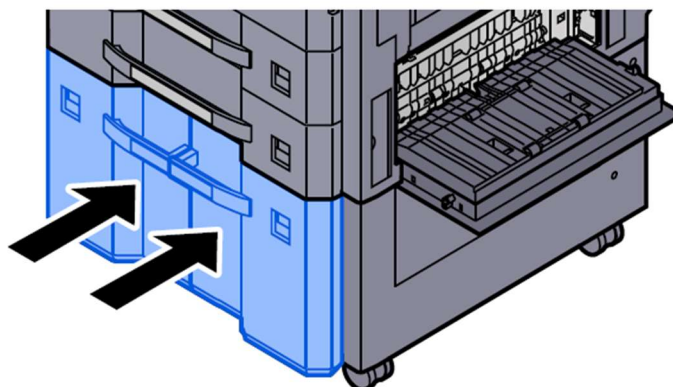
6 Open cover (B2).



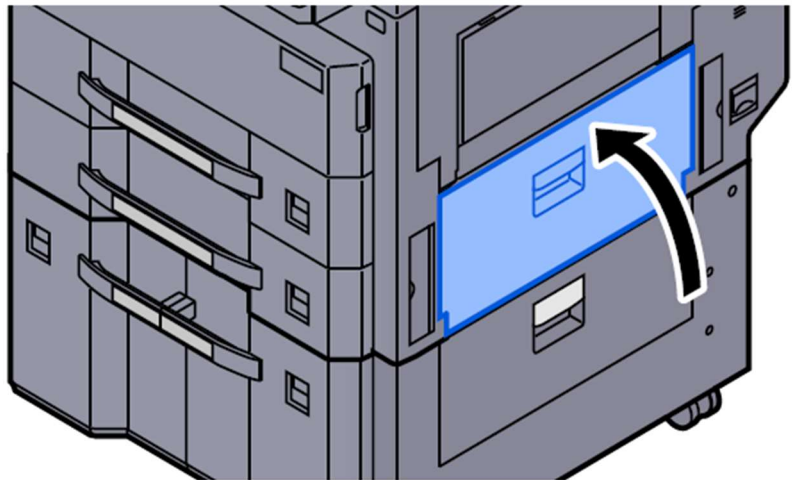
7 Remove any jammed paper.



8 Push paper feed unit, Cassette 3 and Cassette 4 back in.



9 Return the cover to the original position.



**KYOCERA Document Solutions UK
Eldon Court, 75-77 London Road,
Reading, RG1 5BS**

Web: www.kyoceradocumentsolutions.co.uk