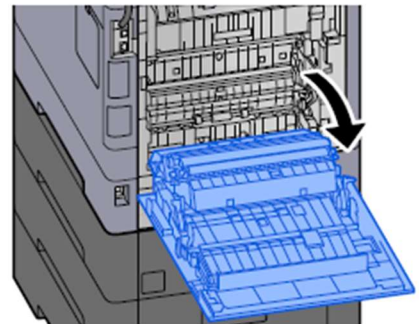
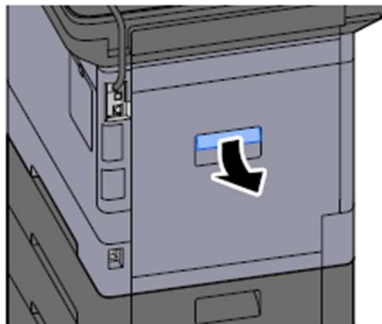


# Taskalfa MA3500ci MA4500ci

## Clearing Jammed Paper Rear Cover 1



## Open the Rear Cover 1



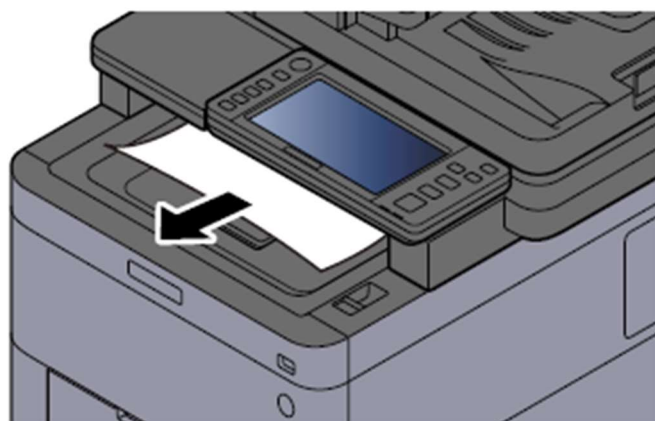
---

### CAUTION

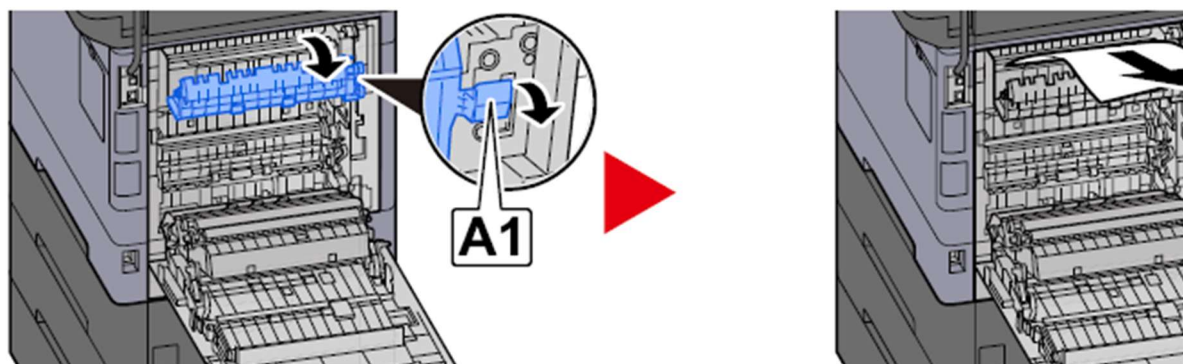
Some parts are very hot inside the machine. Exercise caution as there is a risk of burn injury.

---

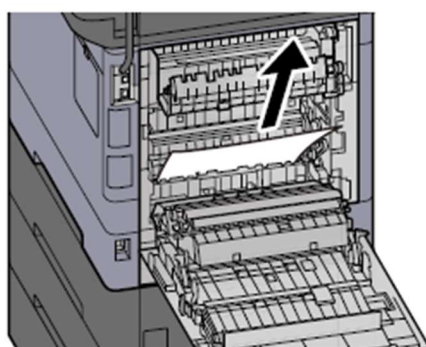
**Remove any jammed paper.**



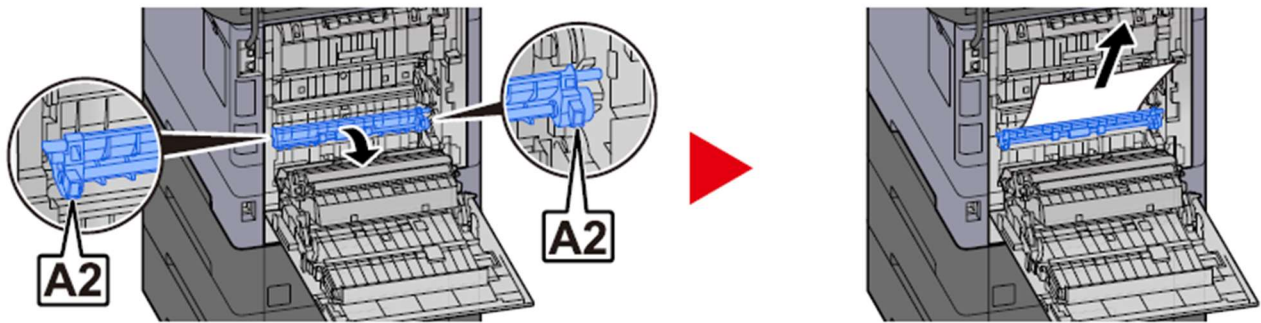
**Open cover A1 and remove the jammed paper**



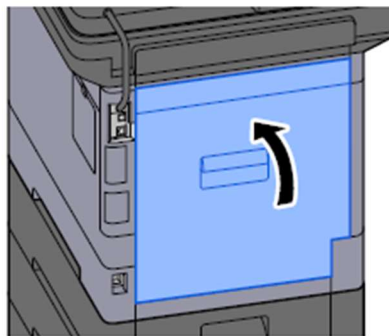
**Remove any jammed paper.**



Open cover A2 and remove the jammed paper



Return the rear cover 1 to the original position.



**KYOCERA Document Solutions UK**

**Eldon Court, 75-77 London Road,**

**Reading, RG1 5BS**

Web: [www.kyoceradocumentsolutions.co.uk](http://www.kyoceradocumentsolutions.co.uk)