

ECOSYS PA2100cx
ECOSYS PA2100cwx
ECOSYS MA2100cfx
ECOSYS MA2100cwf

Clearing Paper Jams
Section-E

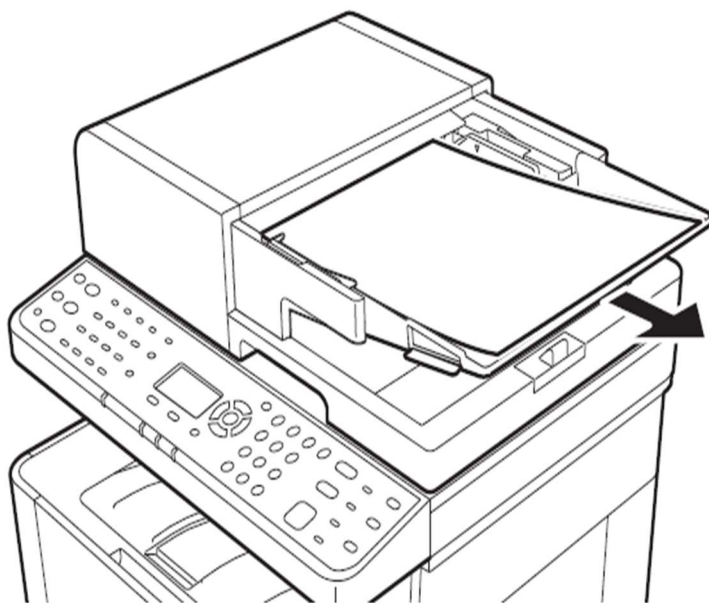
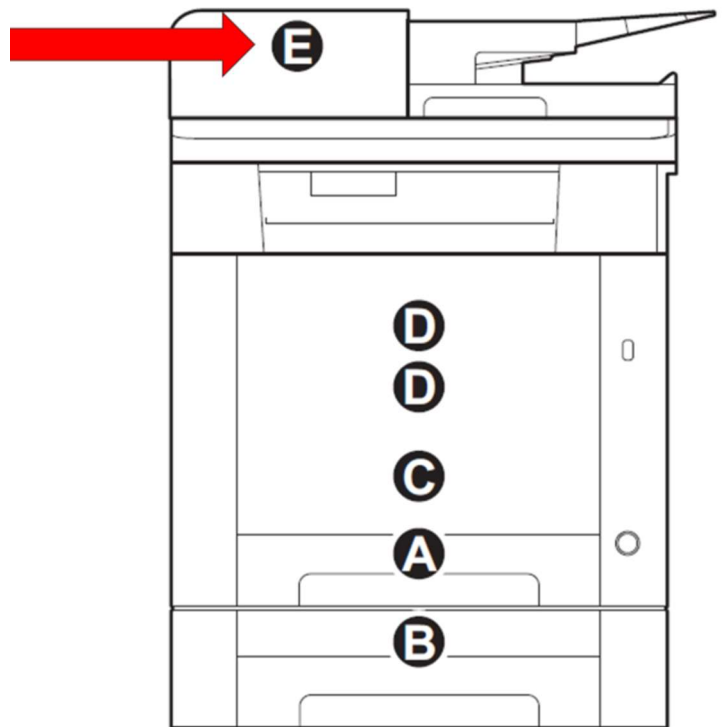


Caution:

If the paper tears during removal, be sure to remove any loose scraps of paper from inside the Machine.

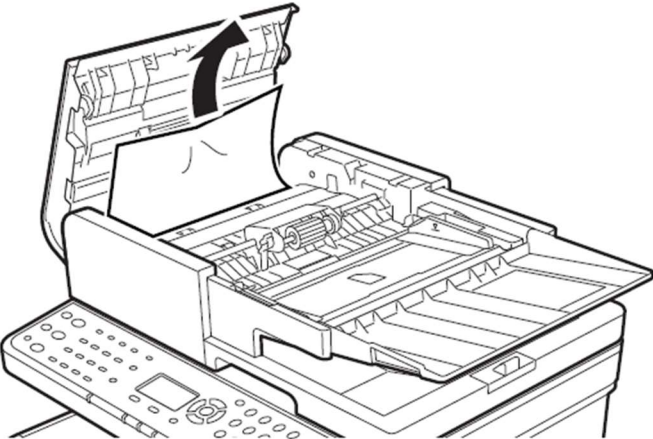
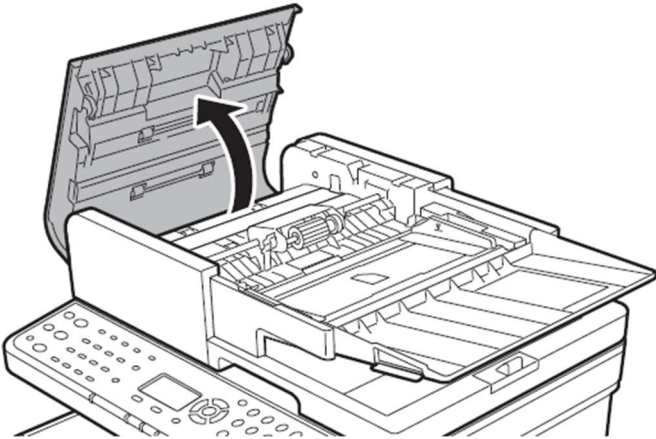
Scraps of paper left inside the machine could cause subsequent jamming

If a jam occurs, a jam message will appear on the screen indicating the area of the jammed paper.



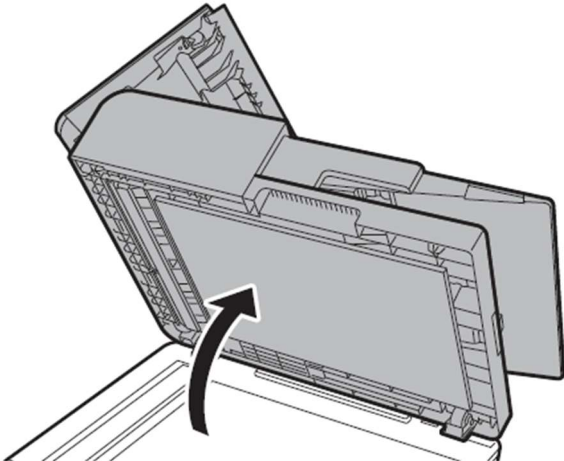
Remove all paper from the document processor feed tray

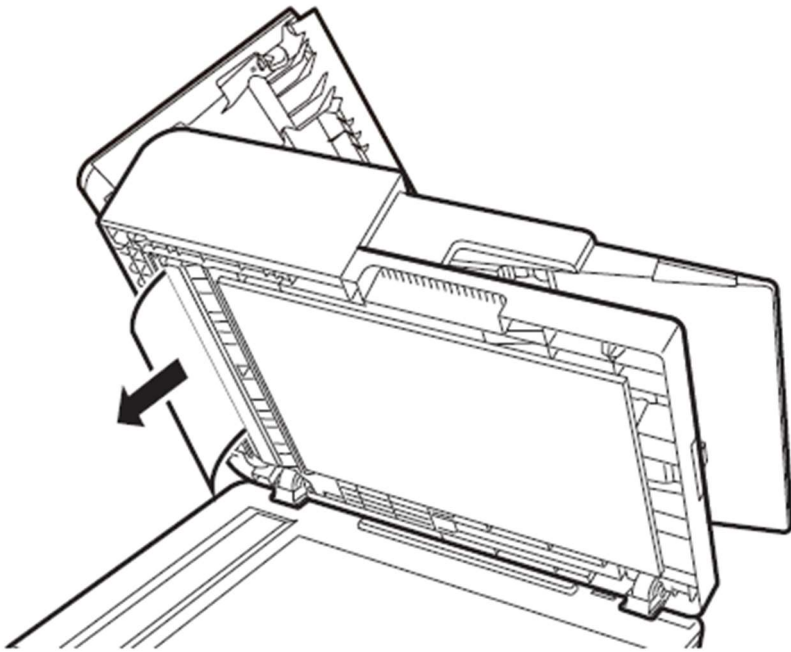
Open document processor top cover



Remove any visible jammed paper

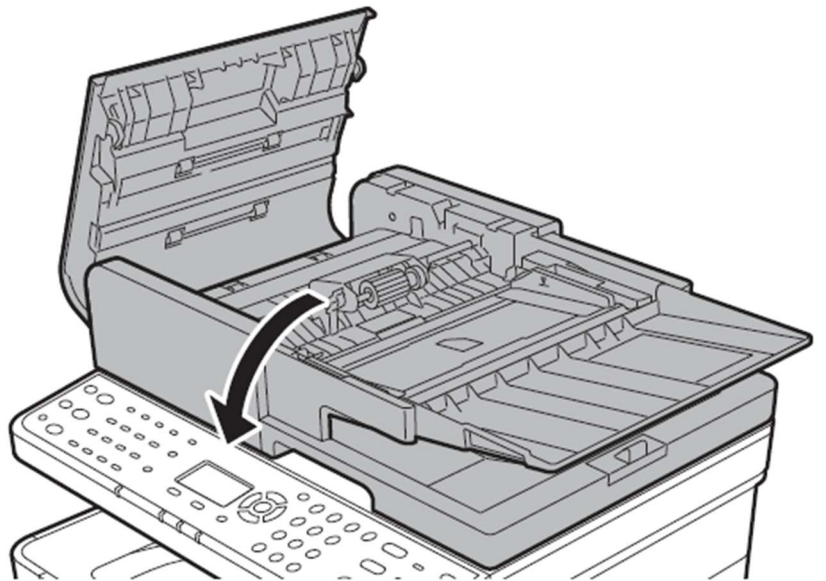
Lift the document processor

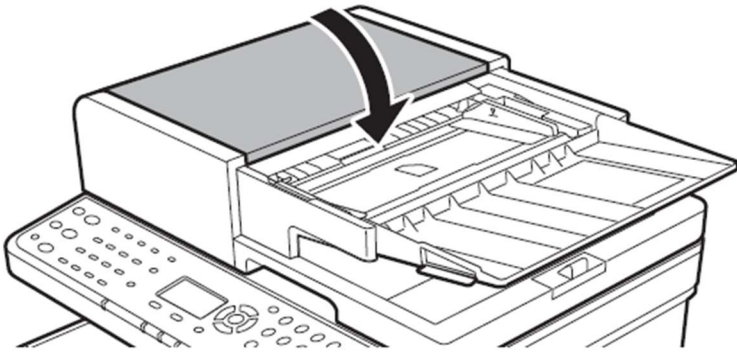




Remove any
visible jammed
paper

Lower the
document
processor





Return the top
cover to its closed
position and
reload originals to
continue

KYOCERA Document Solutions UK

Eldon Court, 75-77 London Road,

Reading, RG1 5BS

Web: www.kyoceradocumentsolutions.co.uk